

Spindles

Type	Code	Price
Taper	TCS	£475.00
Collet	CS	£495.00

Collets for Newing Hall / Taylor Hobson

Size Dia.	Code	Price
1/8"	QR125	£50.40
3/16"	QR187	£50.40
1/4"	QR250	£50.40
3/8"	QR375	£50.40
3mm	QR3M	£50.40
4mm	QR4M	£50.40
6mm	QR6M	£50.40
8mm	QR8M	£50.40
10mm	QR10M	£50.40

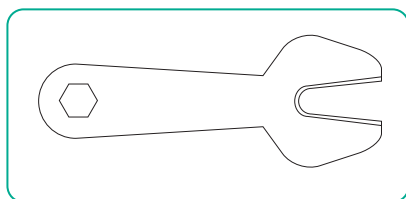
Collets Nut

Code	Price
CN	£39.89

Taper Shank Adaptor

Size Dia.	Code	Price
1/4"	TSA250	£54.60
3/8"	TSA375	£54.60
10mm	TSA10M	£54.60

Cutter Wrench



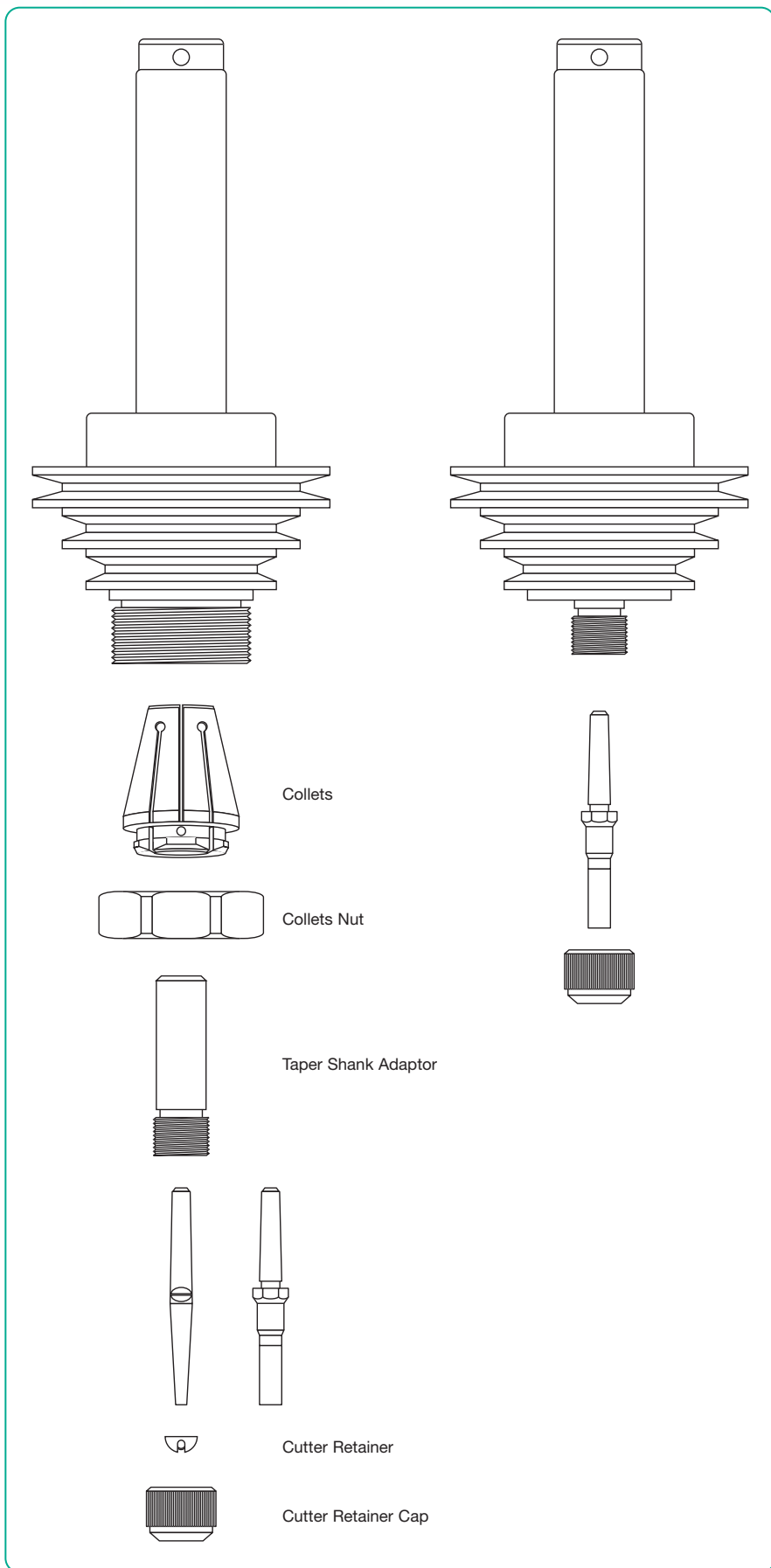
Code	Price
CW	£9.98

Cutter Retainers

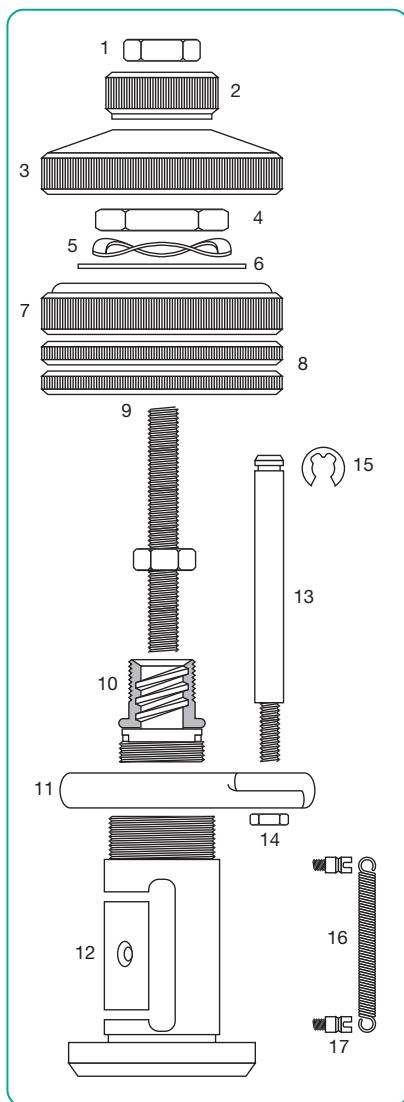
Code	Price
CR	Pack of 3 £6.80

Cutter Retainer Cap

Code	Price
CRC	£7.35



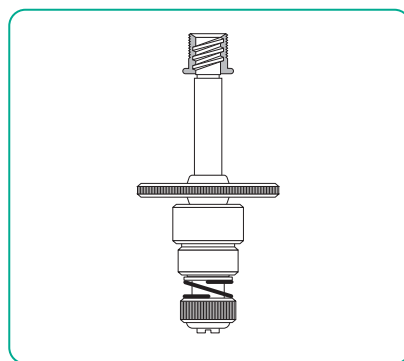
K Feed Parts



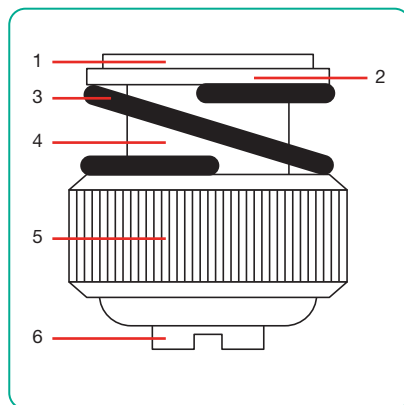
Part No.	Code	Price
1	KF-SLN	£1.21
2	KF-KSN	£4.31
3	KF-FR	£45.26
4	KF-FRLN	£9.82
5	KF-CW	£0.79
6	KF-FW	£0.53
7	KF-TR	£18.86
8	KF-SR	£12.22
9	KF-FSS	£8.51
10	KF-FSN	£105.87
11	KF-TPC	£41.66
12	KF-SS	£77.61
13	KF-TP	£5.89
14	KF-TLN	£0.89
15	KF-RC	£0.26
16	KF-S	£2.43
17	KF-SP	£7.19

Feed Stop Assembly		
1-2-9	KF-FSA	£14.00

D A & CX Feed Assembly



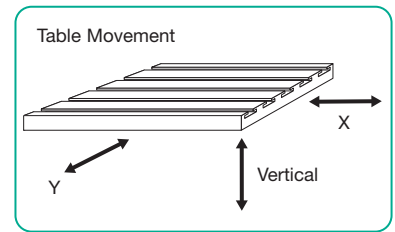
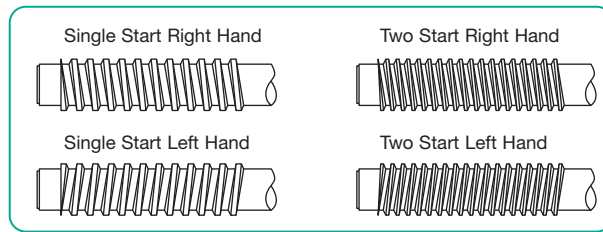
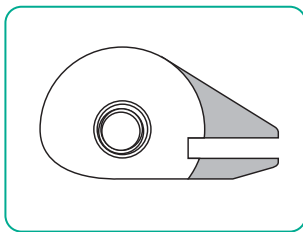
Part No.	Code	Price
Complete	DF-CP	£123.42
1	DF-FW	£0.42
2	DF-TW	£3.75
3	DF-CS	£1.07
4	DF-SN	£8.46
5	DF-TN	£10.00
6	DF-RS	£1.79



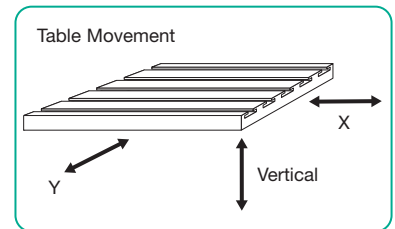
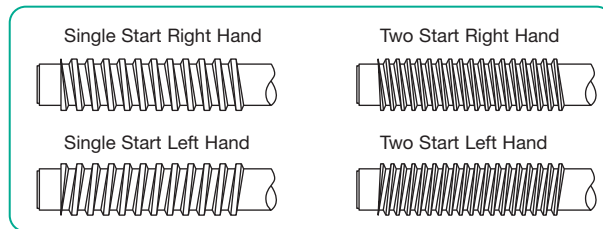
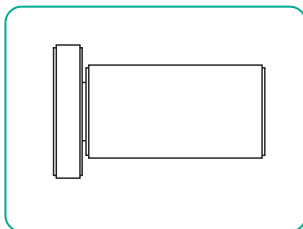
Spanners for Engraving Machines

Description	For Use On	Machine Model	Code	Price
Tool Box	All Machines		TBOX	£7.98
Open Ended	Table Fences, Copy Table Stops, Slider Bodies	A, D, CX, K	TFSBS	£5.73
Open Ended	Table Movement Locks	D	DTLS	£7.50
Open Ended	Collet Nut	D, K	CNS	£9.18
Open Ended	Collet Spindle	D, K	CSS	£11.21
Combination	Head Dog	A, D, Kmk1	DHDS	£12.00
Open Ended	Sliding Head	K	KSHS	£18.73
Pin Wrench	Pantograph & Feed Assembly	K	116/82	£17.76
Open Ended	Feed Assembly	K	KFS	£8.00
Tommy Bar	Copy Holder Locking Plate	K	KTB	£7.48
Open Ended	Cutter Grinder	G	116/83	£18.78
Open Ended	Collet Nut	Alexander	ACNS	£10.00
Open Ended	Sliding Head	Alexander	ASHS	£10.00
'C' Spanner	Spindle Adjustment	Alexander	ASCS	£10.00
Peg Spanner	Spindle Peg Spanner	Alexander	ASPW	£17.16

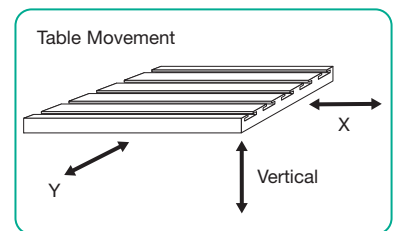
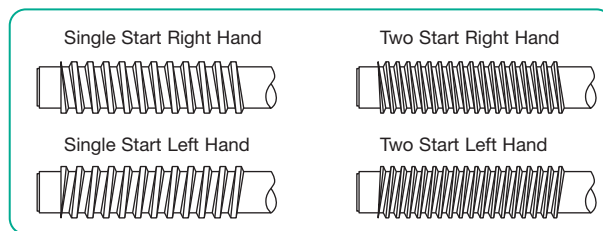
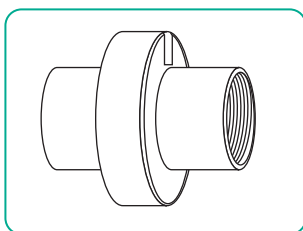
Lead Screws and Lead Screw Nuts



Machine Model	Lead Screw Movement			Lead Screw Type		Screw & Nut		Nut Only	
	Table	Saddle	Vertical	Start	Hand	Code	Price	Code	Price
D, C, CX, CB	Y			Single Start Inches	Right	DTSIA	£220.00	DTSI	£60.00
D, C, CX, CB		X		Single Start Inches	Right	DSSIA	£240.00	DTSI	£60.00
D	Y	X		Two Start Inches	Right	DTTIA	n/a	DTTI	£60.00
D	Y			Single Start Metric	Left	DTSMA	£220.00	DTSM	£60.00
D		X		Single Start Metric	Left	DSSMA	£240.00	DSSM	£60.00

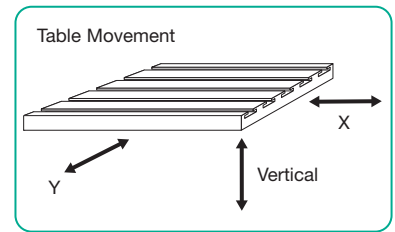
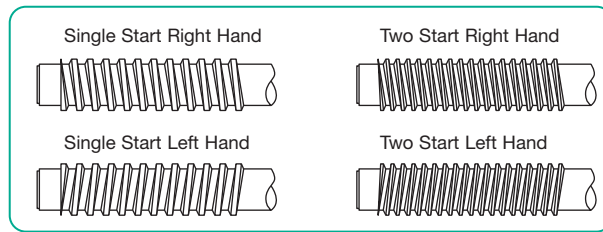
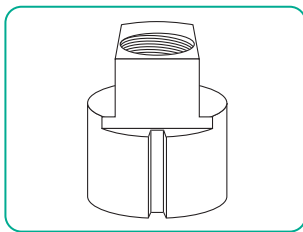


Machine Model	Lead Screw Movement			Lead Screw Type		Screw & Nut		Nut Only	
	Table	Saddle	Vertical	Start	Hand	Code	Price	Code	Price
D, C, CX, CB			V	Single Start Inches	Right	DVSIA	£220.00	DVSI	£70.00
D			V	Two Start Inches	Right	DVTIA	£220.00	DVTI	£70.00
D			V	Single Start Metric	Right	DVSMA	£220.00	DVSM	£70.00



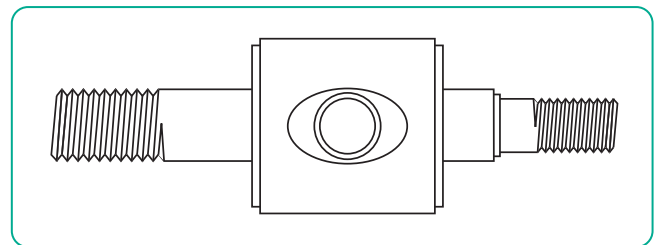
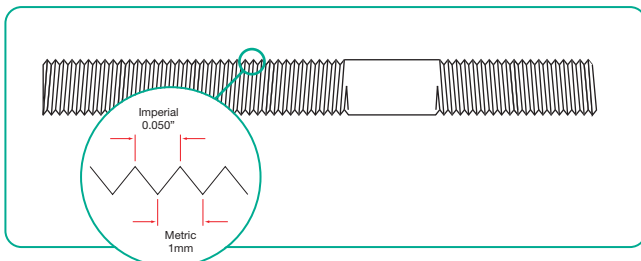
Machine Model	Lead Screw Movement			Lead Screw Type		Screw & Nut		Nut Only	
	Table	Saddle	Vertical	Start	Hand	Code	Price	Code	Price
K		Y		Single Start Inches	Right	KSRIA	£220.00	KSRI	£60.00
K	X			Single Start Inches	Left	KTSIA	£220.00	KTSI	£60.00
K		Y		Single Start Metric	Right	KSTMA	£220.00	KSTM	£60.00
K	X			Single Start Metric	Left	KTTMA	£220.00	KTTM	£60.00

Lead Screws and Lead Screw Nuts Cont...



Machine Model	Lead Screw Movement			Lead Screw Type		Screw & Nut		Nut Only	
	Table	Saddle	Vertical	Start	Hand	Code	Price	Code	Price
K			V	Single Start	Inches Right	KVSIA	£275.00	KVSI	£60.00
K			V	Two Start	Metric Right	KVTMA	£275.00	KVTM	£60.00

G Grinders



'G' Grinder Type	Screw		Nut	
	Code	Price	Code	Price
110/883 Inches	GGLSI	£16.50	GGLNI	£24.00
110/948 Metric	GGLSM	£16.50	GGLNM	£24.00

Works Repairs and Overhauls

	Works Repair	Works Overhaul	Exchange Service	Warranty Period	Price
Idler Pulleys 'K'			•	1 Year	£40.00
Intermediate Pully 'K'			•	1 Year	£15.75
Intermediate Housing with Bearings 'K'			•	1 Year	£95.00
Motor Pulley 'K'			•	1 Year	£20.00
Copy Plate Slide 'K'	•			1 Year	£60.00
Pantographs 'K' 'D' 'A' & 'CX' Machines		•		1 Year	£393.75
Re-Bossing Broken Copy Holders	•			1 Year	£62.50