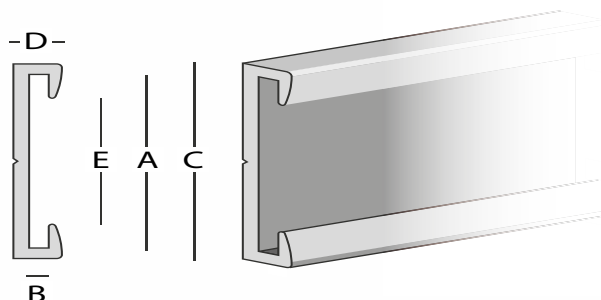


Attachable Plate Holders - INSERT SIZE - 1" (25.4mm)

Discount Range	
0-9	0%
10-24	5%
25-49	10%
50-99	15%
100+	20%



A Insert Height	1" (25.4mm)
B Insert Thickness	1/16" (1.5mm)
C Overall Height	1 1/4" (29mm)
D Overall Thickness	3/16" (4.6mm)
E Viewable Area	3/4" (19mm)

Description

These Plate Holders are anodised in either a high Gloss Finish or Satin Finish

Available in Gold, Silver or Black (Black in Satin finish only)

Plastic End caps are also available in Gold, Silver or Black.

The following items come in a number of standard stock lengths. Alternative lengths can be manufactured on request.

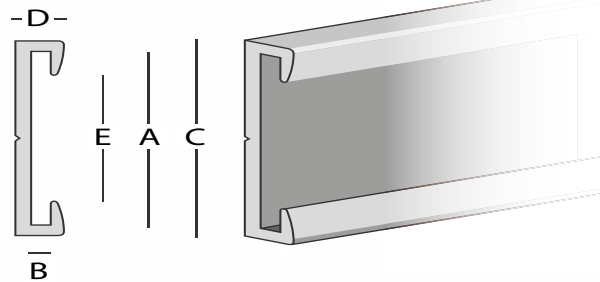
INSERT SIZE - 1" (25.4mm)

Colour	Finish	Insert Size	Length	Product Code	Price (£)
Gold	Gloss	1" (25.4mm)	8" (203.2mm)	AP1G8	3.50
Silver	Gloss	1" (25.4mm)	8" (203.2mm)	AP1S8	3.50
Gold	Satin	1" (25.4mm)	8" (203.2mm)	AP1GSAT8	2.95
Silver	Satin	1" (25.4mm)	8" (203.2mm)	AP1SAT8	2.95
Black	Satin	1" (25.4mm)	8" (203.2mm)	AP1B8	2.95
Gold	Gloss	1" (25.4mm)	9" (228.6mm)	AP1G9	3.75
Silver	Gloss	1" (25.4mm)	9" (228.6mm)	AP1S9	3.75
Gold	Satin	1" (25.4mm)	9" (228.6mm)	AP1GSAT9	3.25
Silver	Satin	1" (25.4mm)	9" (228.6mm)	AP1SAT9	3.25
Black	Satin	1" (25.4mm)	9" (228.6mm)	AP1B9	3.25
Gold	Gloss	1" (25.4mm)	10" (254mm)	AP1G10	4.05
Silver	Gloss	1" (25.4mm)	10" (254mm)	AP1S10	4.05
Gold	Satin	1" (25.4mm)	10" (254mm)	AP1GSAT10	3.50
Silver	Satin	1" (25.4mm)	10" (254mm)	AP1SAT10	3.50
Black	Satin	1" (25.4mm)	10" (254mm)	AP1B10	3.50
Gold	Gloss	1" (25.4mm)	12" (304.8mm)	AP1G12	4.65
Silver	Gloss	1" (25.4mm)	12" (304.8mm)	AP1S12	4.65
Gold	Satin	1" (25.4mm)	12" (304.8mm)	AP1GSAT12	4.10
Silver	Satin	1" (25.4mm)	12" (304.8mm)	AP1SAT12	4.10
Black	Satin	1" (25.4mm)	12" (304.8mm)	AP1B12	4.10
Gold	Gloss	1" (25.4mm)	40" (1016mm)	AP1G40	12.20
Silver	Gloss	1" (25.4mm)	40" (1016mm)	AP1S40	12.20
Gold	Satin	1" (25.4mm)	40" (1016mm)	AP1GSAT40	11.15
Silver	Satin	1" (25.4mm)	40" (1016mm)	AP1SAT40	11.15
Black	Satin	1" (25.4mm)	40" (1016mm)	AP1B40	11.15
Mill	Mill	1" (25.4mm)	82" (2083mm)	AP1MF	15.25

N.B If using End Stops this will slightly reduce the length of your insert and increase the overall length of your plate. End Stop overall size 5mm

Attachable Plate Holders - INSERT SIZE - 1 1/2" (38.1mm)

Discount Range	
0-9	0%
10-24	5%
25-49	10%
50-99	15%
100+	20%



A Insert Height	1 1/2" (38.1mm)
B Insert Thickness	1/16" (1.5mm)
C Overall Height	1 5/8" (41.85mm)
D Overall Thickness	3/16" (4.6mm)
E Viewable Area	1 3/16" (31.7mm)

Description

These Plate Holders are anodised in either a high Gloss Finish or Satin Finish

Available in Gold, Silver or Black (Black in Satin finish only)

Plastic End caps are also available in Gold, Silver or Black.

The following items come in a number of standard stock lengths. Alternative lengths can be manufactured on request.

INSERT SIZE - 1 1/2" (38.1mm)

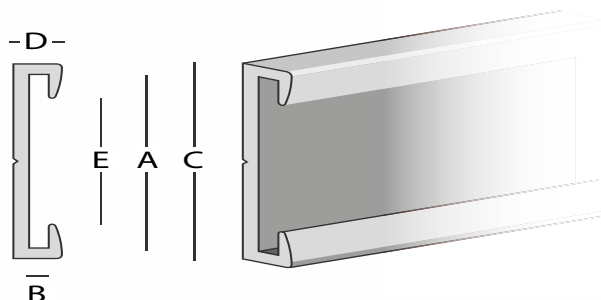
Colour	Finish	Insert Size	Length	Product Code	Price (£)
Gold	Gloss	1 1/2" (38.1mm)	8" (203.2mm)	AP2G8	3.75
Silver	Gloss	1 1/2" (38.1mm)	8" (203.2mm)	AP2S8	3.75
Gold	Satin	1 1/2" (38.1mm)	8" (203.2mm)	AP2GSAT8	3.25
Silver	Satin	1 1/2" (38.1mm)	8" (203.2mm)	AP2SAT8	3.25
Black	Satin	1 1/2" (38.1mm)	8" (203.2mm)	AP2B8	3.25
Gold	Gloss	1 1/2" (38.1mm)	9" (228.6mm)	AP2G9	4.05
Silver	Gloss	1 1/2" (38.1mm)	9" (228.6mm)	AP2S9	4.05
Gold	Satin	1 1/2" (38.1mm)	9" (228.6mm)	AP2GSAT9	3.55
Silver	Satin	1 1/2" (38.1mm)	9" (228.6mm)	AP2SAT9	3.55
Black	Satin	1 1/2" (38.1mm)	9" (228.6mm)	AP2B9	3.55
Gold	Gloss	1 1/2" (38.1mm)	10" (254mm)	AP2G10	4.35
Silver	Gloss	1 1/2" (38.1mm)	10" (254mm)	AP2S10	4.35
Gold	Satin	1 1/2" (38.1mm)	10" (254mm)	AP2GSAT10	3.85
Silver	Satin	1 1/2" (38.1mm)	10" (254mm)	AP2SAT10	3.85
Black	Satin	1 1/2" (38.1mm)	10" (254mm)	AP2B10	3.85
Gold	Gloss	1 1/2" (38.1mm)	12" (304.8mm)	AP2G12	5.00
Silver	Gloss	1 1/2" (38.1mm)	12" (304.8mm)	AP2S12	5.00
Gold	Satin	1 1/2" (38.1mm)	12" (304.8mm)	AP2GSAT12	4.45
Silver	Satin	1 1/2" (38.1mm)	12" (304.8mm)	AP2SAT12	4.45
Black	Satin	1 1/2" (38.1mm)	12" (304.8mm)	AP2B12	4.45
Gold	Gloss	1 1/2" (38.1mm)	16 1/2" (420 mm)	AP2G420	6.10
Silver	Gloss	1 1/2" (38.1mm)	16 1/2" (420 mm)	AP2S420	6.10
Gold	Gloss	1 1/2" (38.1mm)	40" (1016mm)	AP2G40	12.80
Silver	Gloss	1 1/2" (38.1mm)	40" (1016mm)	AP2S40	12.80
Gold	Satin	1 1/2" (38.1mm)	40" (1016mm)	AP2GSAT40	12.00
Silver	Satin	1 1/2" (38.1mm)	40" (1016mm)	AP2SAT40	12.00
Black	Satin	1 1/2" (38.1mm)	40" (1016mm)	AP2B40	12.00
Mill	Mill	1 1/2" (38.1mm)	82" (2083mm)	AP2MF	16.00

N.B If using End Stops this will slightly reduce the length of your insert and increase the overall length of your plate. End Stop overall size 5mm

Attachable Plate Holders - INSERT SIZE - 2" (50.8mm)

Discount Range

0-9	0%
10-24	5%
25-49	10%
50-99	15%
100+	20%



A Insert Height	2" (50.8mm)
B Insert Thickness	1/16" (1.5mm)
C Overall Height	2 1/4" (54.65mm)
D Overall Thickness	3/16" (4.6mm)
E Viewable Area	1 5/8" (42.2mm)

Description

These Plate Holders are anodised in either a high Gloss Finish or Satin Finish

Available in Gold, Silver or Black (Black in Satin finish only)

Plastic End caps are also available in Gold, Silver or Black.

The following items come in a number of standard stock lengths. Alternative lengths can be manufactured on request.

INSERT SIZE - 2" (50.8mm)

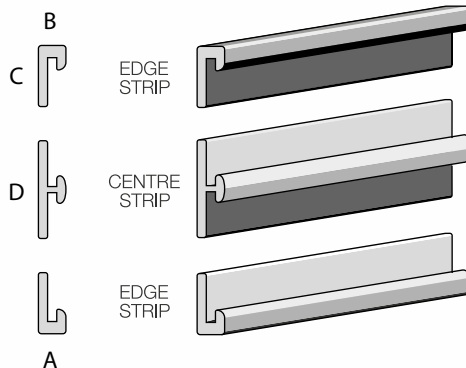
Colour	Finish	Insert Size	Length	Product Code	Price (£)
Gold	Gloss	2" (50.8mm)	3 15/16" (100 mm)	AP3G100	2.50
Silver	Gloss	2" (50.8mm)	3 15/16" (100 mm)	AP3S100	2.50
Gold	Gloss	2" (50.8mm)	8" (203.2mm)	AP3G8	3.90
Silver	Gloss	2" (50.8mm)	8" (203.2mm)	AP3S8	3.90
Gold	Satin	2" (50.8mm)	8" (203.2mm)	AP3GSAT8	3.40
Silver	Satin	2" (50.8mm)	8" (203.2mm)	AP3SAT8	3.40
Black	Satin	2" (50.8mm)	8" (203.2mm)	AP3B8	3.40
Gold	Gloss	2" (50.8mm)	9" (228.6mm)	AP3G9	4.25
Silver	Gloss	2" (50.8mm)	9" (228.6mm)	AP3S9	4.25
Gold	Satin	2" (50.8mm)	9" (228.6mm)	AP3GSAT9	3.70
Silver	Satin	2" (50.8mm)	9" (228.6mm)	AP3SAT9	3.70
Black	Satin	2" (50.8mm)	9" (228.6mm)	AP3B9	3.70
Gold	Gloss	2" (50.8mm)	10" (254mm)	AP3G10	4.55
Silver	Gloss	2" (50.8mm)	10" (254mm)	AP3S10	4.55
Gold	Satin	2" (50.8mm)	10" (254mm)	AP3GSAT10	4.05
Silver	Satin	2" (50.8mm)	10" (254mm)	AP3SAT10	4.05
Black	Satin	2" (50.8mm)	10" (254mm)	AP3B10	4.05
Gold	Gloss	2" (50.8mm)	12" (304.8mm)	AP3G12	5.20
Silver	Gloss	2" (50.8mm)	12" (304.8mm)	AP3S12	5.20
Gold	Satin	2" (50.8mm)	12" (304.8mm)	AP3GSAT12	4.70
Silver	Satin	2" (50.8mm)	12" (304.8mm)	AP3SAT12	4.70
Black	Satin	2" (50.8mm)	12" (304.8mm)	AP3B12	4.70
Gold	Gloss	2" (50.8mm)	40" (1016mm)	AP3G40	14.20
Silver	Gloss	2" (50.8mm)	40" (1016mm)	AP3S40	14.20
Gold	Satin	2" (50.8mm)	40" (1016mm)	AP3GSAT40	13.65
Silver	Satin	2" (50.8mm)	40" (1016mm)	AP3SAT40	13.65
Black	Satin	2" (50.8mm)	40" (1016mm)	AP3B40	13.65
Mill	Mill	2" (50.8mm)	82" (2083mm)	AP3MF	16.80

N.B If using End Stops this will slightly reduce the length of your insert and increase the overall length of your plate. End Stop overall size 5mm

Edge and Centre Strip

Discount Range

0-9	0%
10-24	5%
25-49	10%
50-99	15%
100+	20%



A Insert Thickness	1/16" (1.5mm)
B Overall Thickness	3/16" (5mm)
C Edge Height	7/12" (14mm)
D Centre Height	5/8" (16mm)

Description

Edge and Centre Strips are anodised in either a high Gloss Finish or Satin Finish

Available in Gold, Silver or Black (Black in Satin finish only)

The following items come in a number of standard stock lengths. Alternative lengths can be manufactured on request.

EDGE STRIPS

Colour	Finish	Length	Product Code	Price (£)
Gold	Gloss	8" (203.2mm)	ES8G	2.55
Silver	Gloss	8" (203.2mm)	ES8S	2.55
Gold	Satin	8" (203.2mm)	ES8GSAT	2.00
Silver	Satin	8" (203.2mm)	ES8SAT	2.00
Black	Satin	8" (203.2mm)	ES8B	2.00
Gold	Gloss	9" (228.6mm)	ES9G	2.70
Silver	Gloss	9" (228.6mm)	ES9S	2.70
Gold	Satin	9" (228.6mm)	ES9GSAT	2.15
Silver	Satin	9" (228.6mm)	ES9SAT	2.15
Black	Satin	9" (228.6mm)	ES9B	2.15
Gold	Gloss	10" (254mm)	ES10G	2.85
Silver	Gloss	10" (254mm)	ES10S	2.85
Gold	Satin	10" (254mm)	ES10GSAT	2.30
Silver	Satin	10" (254mm)	ES10SAT	2.30
Black	Satin	10" (254mm)	ES10B	2.30
Gold	Gloss	12" (304.8mm)	ES12G	3.10
Silver	Gloss	12" (304.8mm)	ES12S	3.10
Gold	Satin	12" (304.8mm)	ES12GSAT	2.60
Silver	Satin	12" (304.8mm)	ES12SAT	2.60
Black	Satin	12" (304.8mm)	ES12B	2.60
Gold	Gloss	25" (635mm)	ES25G	5.05
Silver	Gloss	25" (635mm)	ES25S	5.05
Gold	Satin	25" (635mm)	ES25GSAT	4.50
Silver	Satin	25" (635mm)	ES25SAT	4.50
Black	Satin	25" (635mm)	ES25B	4.50
Gold	Gloss	40" (1016mm)	ES40G	7.25
Silver	Gloss	40" (1016mm)	ES40S	7.25
Gold	Satin	40" (1016mm)	ES40GSAT	6.75
Silver	Satin	40" (1016mm)	ES40SAT	6.75
Black	Satin	40" (1016mm)	ES40B	6.75

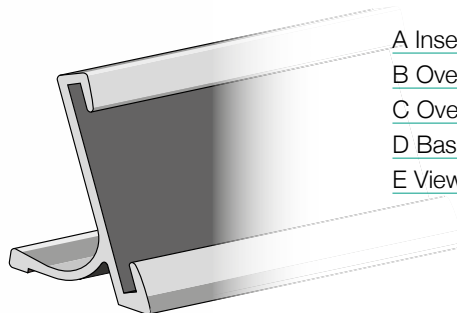
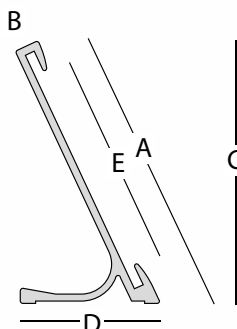
CENTRE STRIPS

Colour	Finish	Length	Product Code	Price (£)
Gold	Gloss	8" (203.2mm)	CS8G	2.60
Silver	Gloss	8" (203.2mm)	CS8S	2.60
Gold	Satin	8" (203.2mm)	CS8GSAT	2.10
Silver	Satin	8" (203.2mm)	CS8SAT	2.10
Black	Satin	8" (203.2mm)	CS8B	2.10
Gold	Gloss	9" (228.6mm)	CS9G	2.80
Silver	Gloss	9" (228.6mm)	CS9S	2.80
Gold	Satin	9" (228.6mm)	CS9GSAT	2.25
Silver	Satin	9" (228.6mm)	CS9SAT	2.25
Black	Satin	9" (228.6mm)	CS9B	2.25
Gold	Gloss	10" (254mm)	CS10G	2.95
Silver	Gloss	10" (254mm)	CS10S	2.95
Gold	Satin	10" (254mm)	CS10GSAT	2.40
Silver	Satin	10" (254mm)	CS10SAT	2.40
Black	Satin	10" (254mm)	CS10B	2.40
Gold	Gloss	12" (304.8mm)	CS12G	3.25
Silver	Gloss	12" (304.8mm)	CS12S	3.25
Gold	Satin	12" (304.8mm)	CS12GSAT	2.75
Silver	Satin	12" (304.8mm)	CS12SAT	2.75
Black	Satin	12" (304.8mm)	CS12B	2.75
Gold	Gloss	25" (635mm)	CS25G	5.30
Silver	Gloss	25" (635mm)	CS25S	5.30
Gold	Satin	25" (635mm)	CS25GSAT	4.80
Silver	Satin	25" (635mm)	CS25SAT	4.80
Black	Satin	25" (635mm)	CS25B	4.80
Gold	Gloss	40" (1016mm)	CS40G	7.65
Silver	Gloss	40" (1016mm)	CS40S	7.65
Gold	Satin	40" (1016mm)	CS40GSAT	7.15
Silver	Satin	40" (1016mm)	CS40SAT	7.15
Black	Satin	40" (1016mm)	CS40B	7.15

Plate Holder Desk - INSERT SIZE - 1" (25.4mm)

Discount Range

0-9	0%
10-24	5%
25-49	10%
50-99	15%
100+	20%



A Insert Height	1" (25.4mm)
B Overall Thickness	1/16" (1.5mm)
C Overall Height	1 1/4" (32mm)
D Base Thickness	3/4" (19mm)
E Viewable Area	3/4" (19mm)

Description

These Plate Holders are anodised in either a high Gloss Finish or Satin Finish

Available in Gold, Silver or Black (Black in Satin finish only)

Plastic End caps are also available in Gold, Silver or Black.

The following items come in a number of standard stock lengths. Alternative lengths can be manufactured on request.

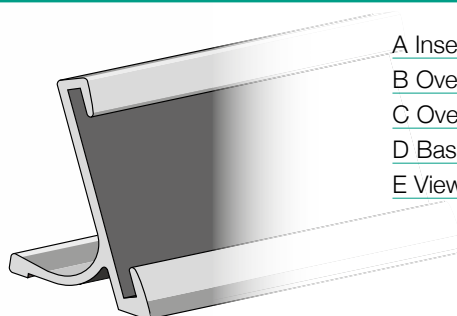
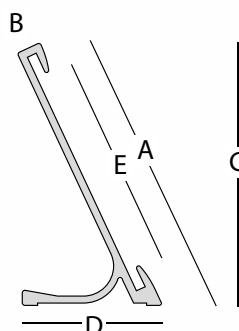
INSERT SIZE - 1" (25.4mm)

Colour	Finish	Insert Size	Length	Product Code	Price (£)
Gold	Gloss	1" (25.4mm)	7" (177.8mm)	PHD1G7	3.40
Silver	Gloss	1" (25.4mm)	7" (177.8mm)	PHD1S7	3.40
Gold	Satin	1" (25.4mm)	7" (177.8mm)	PHD1GSAT7	2.85
Silver	Satin	1" (25.4mm)	7" (177.8mm)	PHD1SAT7	2.85
Black	Satin	1" (25.4mm)	7" (177.8mm)	PHD1B7	2.85
Gold	Gloss	1" (25.4mm)	8" (203.2mm)	PHD1G8	3.70
Silver	Gloss	1" (25.4mm)	8" (203.2mm)	PHD1S8	3.70
Gold	Satin	1" (25.4mm)	8" (203.2mm)	PHD1GSAT8	3.15
Silver	Satin	1" (25.4mm)	8" (203.2mm)	PHD1SAT8	3.15
Black	Satin	1" (25.4mm)	8" (203.2mm)	PHD1B8	3.15
Gold	Gloss	1" (25.4mm)	9" (228.6mm)	PHD1G9	4.00
Silver	Gloss	1" (25.4mm)	9" (228.6mm)	PHD1S9	4.00
Gold	Satin	1" (25.4mm)	9" (228.6mm)	PHD1GSAT9	3.50
Silver	Satin	1" (25.4mm)	9" (228.6mm)	PHD1SAT9	3.50
Black	Satin	1" (25.4mm)	9" (228.6mm)	PHD1B9	3.50
Gold	Gloss	1" (25.4mm)	10" (254mm)	PHD1G10	4.30
Silver	Gloss	1" (25.4mm)	10" (254mm)	PHD1S10	4.30
Gold	Satin	1" (25.4mm)	10" (254mm)	PHD1GSAT10	3.80
Silver	Satin	1" (25.4mm)	10" (254mm)	PHD1SAT10	3.80
Black	Satin	1" (25.4mm)	10" (254mm)	PHD1B10	3.80
Gold	Gloss	1" (25.4mm)	12" (304.8mm)	PHD1G12	4.90
Silver	Gloss	1" (25.4mm)	12" (304.8mm)	PHD1S12	4.90
Gold	Satin	1" (25.4mm)	12" (304.8mm)	PHD1GSAT12	4.40
Silver	Satin	1" (25.4mm)	12" (304.8mm)	PHD1SAT12	4.40
Black	Satin	1" (25.4mm)	12" (304.8mm)	PHD1B12	4.40
Gold	Gloss	1" (25.4mm)	40" (1016mm)	PHD1G40	13.15
Silver	Gloss	1" (25.4mm)	40" (1016mm)	PHD1S40	13.15
Gold	Satin	1" (25.4mm)	40" (1016mm)	PHD1GSAT40	12.60
Silver	Satin	1" (25.4mm)	40" (1016mm)	PHD1SAT40	12.60
Black	Satin	1" (25.4mm)	40" (1016mm)	PHD1B40	12.60
Mill	Finish	1" (25.4mm)	82" (2083mm)	PHD1MF	21.00

Plate Holder Desk - INSERT SIZE - 1 1/2" (38.1mm)

Discount Range

0-9	0%
10-24	5%
25-49	10%
50-99	15%
100+	20%



A Insert Height	1 1/2" (38.1mm)
B Overall Thickness	1/16" (1.5mm)
C Overall Height	1 3/4" (44mm)
D Base Thickness	15/16" (24mm)
E Viewable Area	1 1/4" (32mm)

Description

These Plate Holders are anodised in either a high Gloss Finish or Satin Finish

Available in Gold, Silver or Black (Black in Satin finish only)

Plastic End caps are also available in Gold, Silver or Black.

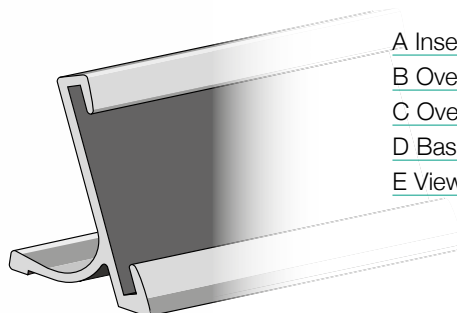
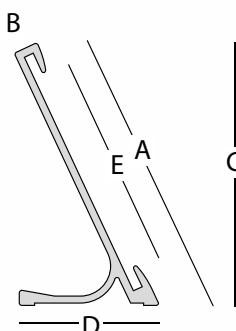
The following items come in a number of standard stock lengths. Alternative lengths can be manufactured on request.

INSERT SIZE - 1 1/2" (38.1mm)

Colour	Finish	Insert Size	Length	Product Code	Price (£)
Gold	Gloss	1 1/2" (38.1mm)	7" (177.8mm)	PHD2G7	3.45
Silver	Gloss	1 1/2" (38.1mm)	7" (177.8mm)	PHD2S7	3.45
Gold	Satin	1 1/2" (38.1mm)	7" (177.8mm)	PHD2GSAT7	2.95
Silver	Satin	1 1/2" (38.1mm)	7" (177.8mm)	PHD2SAT7	2.95
Black	Satin	1 1/2" (38.1mm)	7" (177.8mm)	PHD2B7	2.95
Gold	Gloss	1 1/2" (38.1mm)	8" (203.2mm)	PHD2G8	3.80
Silver	Gloss	1 1/2" (38.1mm)	8" (203.2mm)	PHD2S8	3.80
Gold	Satin	1 1/2" (38.1mm)	8" (203.2mm)	PHD2GSAT8	3.25
Silver	Satin	1 1/2" (38.1mm)	8" (203.2mm)	PHD2SAT8	3.25
Black	Satin	1 1/2" (38.1mm)	8" (203.2mm)	PHD2B8	3.25
Gold	Gloss	1 1/2" (38.1mm)	9" (228.6mm)	PHD2G9	4.10
Silver	Gloss	1 1/2" (38.1mm)	9" (228.6mm)	PHD2S9	4.10
Gold	Satin	1 1/2" (38.1mm)	9" (228.6mm)	PHD2GSAT9	3.60
Silver	Satin	1 1/2" (38.1mm)	9" (228.6mm)	PHD2SAT9	3.60
Black	Satin	1 1/2" (38.1mm)	9" (228.6mm)	PHD2B9	3.60
Gold	Gloss	1 1/2" (38.1mm)	10" (254mm)	PHD2G10	4.40
Silver	Gloss	1 1/2" (38.1mm)	10" (254mm)	PHD2S10	4.40
Gold	Satin	1 1/2" (38.1mm)	10" (254mm)	PHD2GSAT10	3.90
Silver	Satin	1 1/2" (38.1mm)	10" (254mm)	PHD2SAT10	3.90
Black	Satin	1 1/2" (38.1mm)	10" (254mm)	PHD2B10	3.90
Gold	Gloss	1 1/2" (38.1mm)	12" (304.8mm)	PHD2G12	5.05
Silver	Gloss	1 1/2" (38.1mm)	12" (304.8mm)	PHD2S12	5.05
Gold	Satin	1 1/2" (38.1mm)	12" (304.8mm)	PHD2GSAT12	4.50
Silver	Satin	1 1/2" (38.1mm)	12" (304.8mm)	PHD2SAT12	4.50
Black	Satin	1 1/2" (38.1mm)	12" (304.8mm)	PHD2B12	4.50
Gold	Gloss	1 1/2" (38.1mm)	40" (1016mm)	PHD2G40	13.65
Silver	Gloss	1 1/2" (38.1mm)	40" (1016mm)	PHD2S40	13.65
Gold	Satin	1 1/2" (38.1mm)	40" (1016mm)	PHD2GSAT40	13.15
Silver	Satin	1 1/2" (38.1mm)	40" (1016mm)	PHD2SAT40	13.15
Black	Satin	1 1/2" (38.1mm)	40" (1016mm)	PHD2B40	13.15
Mill	Finish	1 1/2" (38.1mm)	82" (2083mm)	PHD2MF	22.05

Plate Holder Desk - INSERT SIZE - 2" (50.8mm)

Discount Range	
0-9	0%
10-24	5%
25-49	10%
50-99	15%
100+	20%



A Insert Height	2" (50.8mm)
B Overall Thickness	1/16" (1.5mm)
C Overall Height	2 1/2" (57mm)
D Base Thickness	1 1/8" (28mm)
E Viewable Area	1 5/8" (42.2mm)

Description

These Plate Holders are anodised in either a high Gloss Finish or Satin Finish

Available in Gold, Silver or Black (Black in Satin finish only)

Plastic End caps are also available in Gold, Silver or Black.

The following items come in a number of standard stock lengths. Alternative lengths can be manufactured on request.

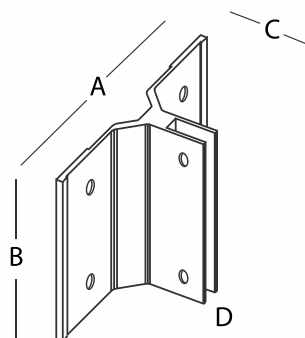
INSERT SIZE - 2" (50.8mm)

Colour	Finish	Insert Size	Length	Product Code	Price (£)
Gold	Gloss	2" (50.8mm)	7" (177.8mm)	PHD3G7	3.60
Silver	Gloss	2" (50.8mm)	7" (177.8mm)	PHD3S7	3.60
Gold	Satin	2" (50.8mm)	7" (177.8mm)	PHD3GSAT7	3.05
Silver	Satin	2" (50.8mm)	7" (177.8mm)	PHD3SAT7	3.05
Black	Satin	2" (50.8mm)	7" (177.8mm)	PHD3B7	3.05
Gold	Gloss	2" (50.8mm)	8" (203.2mm)	PHD3G8	3.90
Silver	Gloss	2" (50.8mm)	8" (203.2mm)	PHD3S8	3.90
Gold	Satin	2" (50.8mm)	8" (203.2mm)	PHD3GSAT8	3.40
Silver	Satin	2" (50.8mm)	8" (203.2mm)	PHD3SAT8	3.40
Black	Satin	2" (50.8mm)	8" (203.2mm)	PHD3B8	3.40
Gold	Gloss	2" (50.8mm)	9" (228.6mm)	PHD3G9	4.25
Silver	Gloss	2" (50.8mm)	9" (228.6mm)	PHD3S9	4.25
Gold	Satin	2" (50.8mm)	9" (228.6mm)	PHD3GSAT9	3.70
Silver	Satin	2" (50.8mm)	9" (228.6mm)	PHD3SAT9	3.70
Black	Satin	2" (50.8mm)	9" (228.6mm)	PHD3B9	3.70
Gold	Gloss	2" (50.8mm)	10" (254mm)	PHD3G10	4.60
Silver	Gloss	2" (50.8mm)	10" (254mm)	PHD3S10	4.60
Gold	Satin	2" (50.8mm)	10" (254mm)	PHD3GSAT10	4.05
Silver	Satin	2" (50.8mm)	10" (254mm)	PHD3SAT10	4.05
Black	Satin	2" (50.8mm)	10" (254mm)	PHD3B10	4.05
Gold	Gloss	2" (50.8mm)	12" (304.8mm)	PHD3G12	5.25
Silver	Gloss	2" (50.8mm)	12" (304.8mm)	PHD3S12	5.25
Gold	Satin	2" (50.8mm)	12" (304.8mm)	PHD3GSAT12	4.75
Silver	Satin	2" (50.8mm)	12" (304.8mm)	PHD3SAT12	4.75
Black	Satin	2" (50.8mm)	12" (304.8mm)	PHD3B12	4.75
Gold	Gloss	2" (50.8mm)	40" (1016mm)	PHD3G40	14.70
Silver	Gloss	2" (50.8mm)	40" (1016mm)	PHD3S40	14.70
Gold	Satin	2" (50.8mm)	40" (1016mm)	PHD3GSAT40	14.10
Silver	Satin	2" (50.8mm)	40" (1016mm)	PHD3SAT40	14.10
Black	Satin	2" (50.8mm)	40" (1016mm)	PHD3B40	14.10
Mill	Finish	2" (50.8mm)	82" (2083mm)	PHD3MF	24.15

Wall Bracket

Discount Range

0-9	0%
10-24	5%
25-49	10%
50-99	15%
100+	20%



A Overall Width	2 1/2" (64mm)
B Overall Height	Variable
C Overall Depth	1" (25.4mm)
D Insert Width	1/8" (3.2mm)

Description

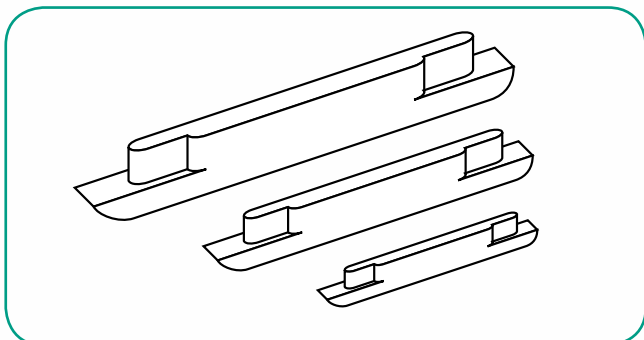
These Wall Brackets are anodised in either a high Gloss Finish or Satin Finish

Available in Gold, Silver or Black (Black in Satin finish only)

The following items come in a number of standard stock lengths. Alternative lengths can be manufactured on request.

Colour	Finish	Width	Overall Height	Product Code	Price (£)
Gold	Gloss	2 1/2" (64mm)	2" (50.8mm)	WB2G	4.20
Silver	Gloss	2 1/2" (64mm)	2" (50.8mm)	WB2S	4.20
Gold	Satin	2 1/2" (64mm)	2" (50.8mm)	WB2GSAT	3.85
Silver	Satin	2 1/2" (64mm)	2" (50.8mm)	WB2SAT	3.85
Black	Satin	2 1/2" (64mm)	2" (50.8mm)	WB2B	3.85
Gold	Gloss	2 1/2" (64mm)	4" (101.6mm)	WB4G	5.25
Silver	Gloss	2 1/2" (64mm)	4" (101.6mm)	WB4S	5.25
Gold	Satin	2 1/2" (64mm)	4" (101.6mm)	WB4GSAT	4.70
Silver	Satin	2 1/2" (64mm)	4" (101.6mm)	WB4SAT	4.70
Black	Satin	2 1/2" (64mm)	4" (101.6mm)	WB4B	4.70
Gold	Gloss	2 1/2" (64mm)	40" (1016mm)	WB40G	17.85
Silver	Gloss	2 1/2" (64mm)	40" (1016mm)	WB40S	17.85
Gold	Satin	2 1/2" (64mm)	40" (1016mm)	WB40GSAT	17.35
Silver	Satin	2 1/2" (64mm)	40" (1016mm)	WB40SAT	17.35
Black	Satin	2 1/2" (64mm)	40" (1016mm)	WB40B	17.35
Mill	Mill	2 1/2" (64mm)	78" (1981.2mm)	WB	27.50

Wall Bracket



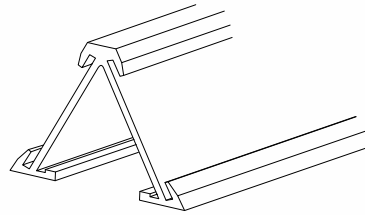
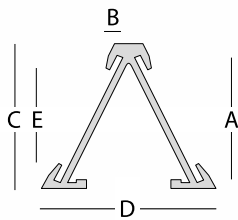
Finish	Length	Product Code	Price (£)
Gold	1" (25.4)	AP1GES	£0.18
Silver	1" (25.4)	AP1SES	£0.18
Black	1" (25.4)	AP1BES	£0.18
Gold	1 1/2" (38.1mm)	AP2GES	£0.18
Silver	1 1/2" (38.1mm)	AP2SES	£0.18
Black	1 1/2" (38.1mm)	AP2BES	£0.18
Gold	2" (50.8mm)	AP3GES	£0.18
Silver	2" (50.8mm)	AP3SES	£0.18
Black	2" (50.8mm)	AP3BES	£0.18

N.B If using End Stops this will slightly reduce the length of your insert and increase the overall length of your plate. End Stop overall size 5mm

Two Sided Plate Holder

Discount Range

0-9	0%
10-24	5%
25-49	10%
50-99	15%
100+	20%



A Insert Height	1 1/4" (32mm)
B Insert Thickness	1/16" (1.5mm)
C Overall Height	1 7/16" (31mm)
D Base Thickness	1 7/16" (31mm)
E Viewable Area	3/4" (19mm)

Description

These Plate Holders are anodised in either a high Gloss Finish or Satin Finish

Available in Gold, Silver or Black (Black in Satin finish only)

The following items come in a number of standard stock lengths. Alternative lengths can be manufactured on request.

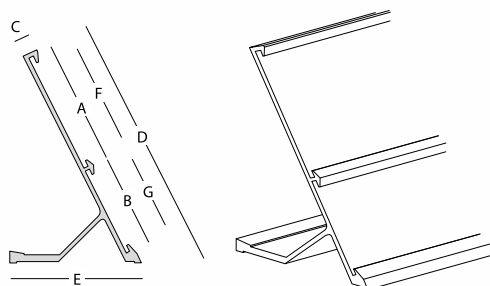
Colour	Finish	Insert Size	Length Overall	Height	Product Code	Price (£)
Gold	Gloss	1 1/4" (32mm)	6" (152.4mm)	1 7/16" (31mm)	DP5G6	3.67
Silver	Gloss	1 1/4" (32mm)	6" (152.4mm)	1 7/16" (31mm)	DP5S6	3.67
Gold	Satin	1 1/4" (32mm)	6" (152.4mm)	1 7/16" (31mm)	DP5GSAT6	3.15
Silver	Satin	1 1/4" (32mm)	6" (152.4mm)	1 7/16" (31mm)	DP5SAT6	3.15
Black	Satin	1 1/4" (32mm)	6" (152.4mm)	1 7/16" (31mm)	DP5B6	3.15
Gold	Gloss	1 1/4" (32mm)	8" (203.2mm)	1 7/16" (31mm)	DP5G8	4.50
Silver	Gloss	1 1/4" (32mm)	8" (203.2mm)	1 7/16" (31mm)	DP5S8	4.50
Gold	Satin	1 1/4" (32mm)	8" (203.2mm)	1 7/16" (31mm)	DP5GSAT8	3.95
Silver	Satin	1 1/4" (32mm)	8" (203.2mm)	1 7/16" (31mm)	DP5SAT8	3.95
Black	Satin	1 1/4" (32mm)	8" (203.2mm)	1 7/16" (31mm)	DP5B8	3.95
Gold	Gloss	1 1/4" (32mm)	9" (228.6mm)	1 7/16" (31mm)	DP5G9	4.90
Silver	Gloss	1 1/4" (32mm)	9" (228.6mm)	1 7/16" (31mm)	DP5S9	4.90
Gold	Satin	1 1/4" (32mm)	9" (228.6mm)	1 7/16" (31mm)	DP5GSAT9	4.35
Silver	Satin	1 1/4" (32mm)	9" (228.6mm)	1 7/16" (31mm)	DP5SAT9	4.35
Black	Satin	1 1/4" (32mm)	9" (228.6mm)	1 7/16" (31mm)	DP5B9	4.35
Gold	Gloss	1 1/4" (32mm)	10" (254mm)	1 7/16" (31mm)	DP5G10	5.30
Silver	Gloss	1 1/4" (32mm)	10" (254mm)	1 7/16" (31mm)	DP5S10	5.30
Gold	Satin	1 1/4" (32mm)	10" (254mm)	1 7/16" (31mm)	DP5GSAT10	4.75
Silver	Satin	1 1/4" (32mm)	10" (254mm)	1 7/16" (31mm)	DP5SAT10	4.75
Black	Satin	1 1/4" (32mm)	10" (254mm)	1 7/16" (31mm)	DP5B10	4.75
Gold	Gloss	1 1/4" (32mm)	12" (304.8mm)	1 7/16" (31mm)	DP5G12	6.10
Silver	Gloss	1 1/4" (32mm)	12" (304.8mm)	1 7/16" (31mm)	DP5S12	6.10
Gold	Satin	1 1/4" (32mm)	12" (304.8mm)	1 7/16" (31mm)	DP5GSAT12	5.55
Silver	Satin	1 1/4" (32mm)	12" (304.8mm)	1 7/16" (31mm)	DP5SAT12	5.55
Black	Satin	1 1/4" (32mm)	12" (304.8mm)	1 7/16" (31mm)	DP5B12	5.55
Gold	Gloss	1 1/4" (32mm)	40" (1016mm)	1 7/16" (31mm)	DP5G40	16.80
Silver	Gloss	1 1/4" (32mm)	40" (1016mm)	1 7/16" (31mm)	DP5S40	16.80
Gold	Satin	1 1/4" (32mm)	40" (1016mm)	1 7/16" (31mm)	DP5GSAT40	16.30
Silver	Satin	1 1/4" (32mm)	40" (1016mm)	1 7/16" (31mm)	DP5SAT40	16.30
Black	Satin	1 1/4" (32mm)	40" (1016mm)	1 7/16" (31mm)	DP5B40	16.30
Mill	Finish	1 1/4" (32mm)	82" (2083mm)	1 7/16" (31mm)	DP5	21.00

N.B If using End Stops this will slightly reduce the length of your insert and increase the overall length of your plate. End Stop overall size 5mm

Double Insert Desk Plate Holder

Discount Range

0-9	0%
10-24	5%
25-49	10%
50-99	15%
100+	20%



A Upper Insert Height	2" (50.8mm)
B Lower Insert Height	1 1/2" (38.1mm)
C Insert Thickness	1/16" (1.5mm)
D Overall Height	4" (101mm)
E Base Thickness	2 1/4" (58mm)
F Upper Viewable Area	1 13/16" (45mm)
G Lower Viewable Area	1 1/2" (32mm)

Description

These Double Insert Plate Holders are anodised in either a high Gloss Finish or Satin Finish

Available in Gold, Silver or Black (Black in Satin finish only)

Plastic End caps are also available in Gold, Silver or Black.

These items come in a number of standard stock lengths. Alternative lengths can be manufactured on request.

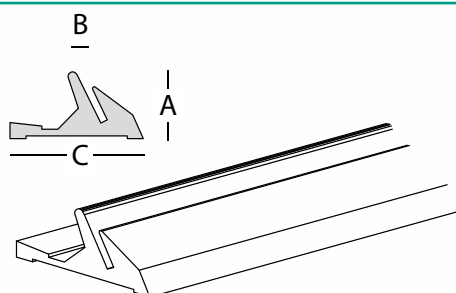
Colour	Finish	Upper Insert Size	Lower Insert Size	Length	Product Code	Price (£)
Gold	Gloss	2" (50.8mm)	1 1/2" 38.1mm	8" (203.2mm)	DP4G8	4.35
Silver	Gloss	2" (50.8mm)	1 1/2" 38.1mm	8" (203.2mm)	DP4S8	4.35
Gold	Satin	2" (50.8mm)	1 1/2" 38.1mm	8" (203.2mm)	DP4GSAT8	3.85
Silver	Satin	2" (50.8mm)	1 1/2" 38.1mm	8" (203.2mm)	DP4SAT8	3.85
Black	Satin	2" (50.8mm)	1 1/2" 38.1mm	8" (203.2mm)	DP4B8	3.85
Gold	Gloss	2" (50.8mm)	1 1/2" 38.1mm	9" (228.6mm)	DP4G9	4.50
Silver	Gloss	2" (50.8mm)	1 1/2" 38.1mm	9" (228.6mm)	DP4S9	4.50
Gold	Satin	2" (50.8mm)	1 1/2" 38.1mm	9" (228.6mm)	DP4GSAT9	3.95
Silver	Satin	2" (50.8mm)	1 1/2" 38.1mm	9" (228.6mm)	DP4SAT9	3.95
Black	Satin	2" (50.8mm)	1 1/2" 38.1mm	9" (228.6mm)	DP4B9	3.95
Gold	Gloss	2" (50.8mm)	1 1/2" 38.1mm	10" (254mm)	DP4G10	4.85
Silver	Gloss	2" (50.8mm)	1 1/2" 38.1mm	10" (254mm)	DP4S10	4.85
Gold	Satin	2" (50.8mm)	1 1/2" 38.1mm	10" (254mm)	DP4GSAT10	4.30
Silver	Satin	2" (50.8mm)	1 1/2" 38.1mm	10" (254mm)	DP4SAT10	4.30
Black	Satin	2" (50.8mm)	1 1/2" 38.1mm	10" (254mm)	DP4B10	4.30
Gold	Gloss	2" (50.8mm)	1 1/2" 38.1mm	12" (304.8mm)	DP4G12	5.50
Silver	Gloss	2" (50.8mm)	1 1/2" 38.1mm	12" (304.8mm)	DP4S12	5.50
Gold	Satin	2" (50.8mm)	1 1/2" 38.1mm	12" (304.8mm)	DP4GSAT12	5.00
Silver	Satin	2" (50.8mm)	1 1/2" 38.1mm	12" (304.8mm)	DP4SAT12	5.00
Black	Satin	2" (50.8mm)	1 1/2" 38.1mm	12" (304.8mm)	DP4B12	5.00
Gold	Gloss	2" (50.8mm)	1 1/2" 38.1mm	40" (1016mm)	DP4G40	15.20
Silver	Gloss	2" (50.8mm)	1 1/2" 38.1mm	40" (1016mm)	DP4S40	15.20
Gold	Satin	2" (50.8mm)	1 1/2" 38.1mm	40" (1016mm)	DP4GSAT40	14.70
Silver	Satin	2" (50.8mm)	1 1/2" 38.1mm	40" (1016mm)	DP4SAT40	14.70
Black	Satin	2" (50.8mm)	1 1/2" 38.1mm	40" (1016mm)	DP4B40	14.70
Mill	Mill	2" (50.8mm)	1 1/2" 38.1mm	82" (2083mm)	DP4	24.00

N.B If using End Stops this will slightly reduce the length of your insert and increase the overall length of your plate. End Stop overall size 5mm

Base Plate

Discount Range

0-9	0%
10-24	5%
25-49	10%
50-99	15%
100+	20%



A Overall Height	1/2" (12.7mm)
B Insert Thickness	1/16" (1.5mm)
C Base Width	1" (25.4mm)
Viewable Area	Reduces Plate by -1/4" (-5mm)
Maximum Height of Material for 8" Base Plate	
	Brass - 3" (76.2mm)
	Plastic - 4" (101.6mm)

Description

These Base Plate Holders are anodised in either a high Gloss Finish or Satin Finish

Available in Gold, Silver or Black (Black in Satin finish only)

The following items come in a number of standard stock lengths. Alternative lengths can be manufactured on request.

Colour	Finish	Length	Overall Height	Product Code	Price (£)
Gold	Gloss	8" (203.2mm)	1/2" (12.7mm)	BPG8	4.00
Silver	Gloss	8" (203.2mm)	1/2" (12.7mm)	BPS8	4.00
Gold	Satin	8" (203.2mm)	1/2" (12.7mm)	BPGSAT8	3.45
Silver	Satin	8" (203.2mm)	1/2" (12.7mm)	BPSAT8	3.45
Black	Satin	8" (203.2mm)	1/2" (12.7mm)	BPB8	3.45
Gold	Gloss	9" (228.6mm)	1/2" (12.7mm)	BPG9	4.35
Silver	Gloss	9" (228.6mm)	1/2" (12.7mm)	BPS9	4.35
Gold	Satin	9" (228.6mm)	1/2" (12.7mm)	BPGSAT9	3.80
Silver	Satin	9" (228.6mm)	1/2" (12.7mm)	BPSAT9	3.80
Black	Satin	9" (228.6mm)	1/2" (12.7mm)	BPB9	3.80
Gold	Gloss	10" (254mm)	1/2" (12.7mm)	BPG10	4.65
Silver	Gloss	10" (254mm)	1/2" (12.7mm)	BPS10	4.65
Gold	Satin	10" (254mm)	1/2" (12.7mm)	BPGSAT10	4.15
Silver	Satin	10" (254mm)	1/2" (12.7mm)	BPSAT10	4.15
Black	Satin	10" (254mm)	1/2" (12.7mm)	BPB10	4.15
Gold	Gloss	12" (304.8mm)	1/2" (12.7mm)	BPG12	5.35
Silver	Gloss	12" (304.8mm)	1/2" (12.7mm)	BPS12	5.35
Gold	Satin	12" (304.8mm)	1/2" (12.7mm)	BPGSAT12	4.80
Silver	Satin	12" (304.8mm)	1/2" (12.7mm)	BPSAT12	4.80
Black	Satin	12" (304.8mm)	1/2" (12.7mm)	BPB12	4.80
Gold	Gloss	40" (1016mm)	1/2" (12.7mm)	BPG40	15.75
Silver	Gloss	40" (1016mm)	1/2" (12.7mm)	BPS40	15.75
Gold	Satin	40" (1016mm)	1/2" (12.7mm)	BPGSAT40	13.65
Silver	Satin	40" (1016mm)	1/2" (12.7mm)	BPSAT40	13.65
Black	Satin	40" (1016mm)	1/2" (12.7mm)	BPB40	13.65
Mill	Mill	82" (2083mm)	1/2" (12.7mm)	BP	21.85