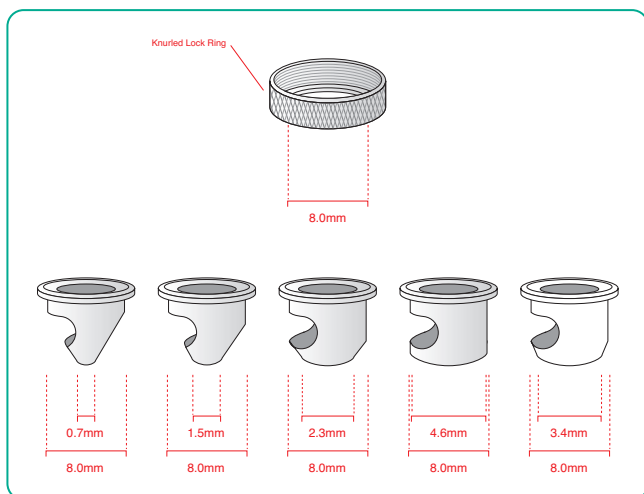


## Standard Nose Cones

For use on Gravograph 1/8" & 11/64" Spindles

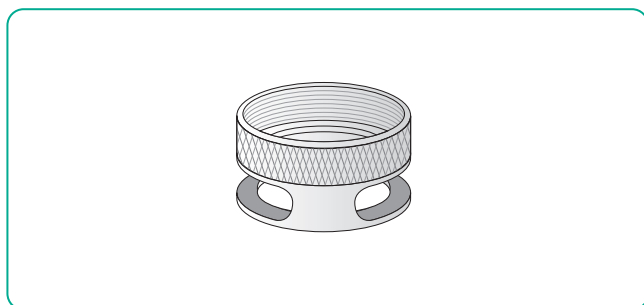


Material	Hole size	O/D	Code	Price (£)
Steel	0.7mm	8mm	NC 07M	15.60
Steel	1.5mm	8mm	NC 15M	15.60
Steel	2.3mm	8mm	NC 23M	15.60
Steel	4.6mm	8mm	NC 46M	15.60
Nylon	3.4mm	8mm	NC N34M	11.85

	Hole size	Code	Price (£)
Knurled Lock Ring	8mm	NC LR125	5.63

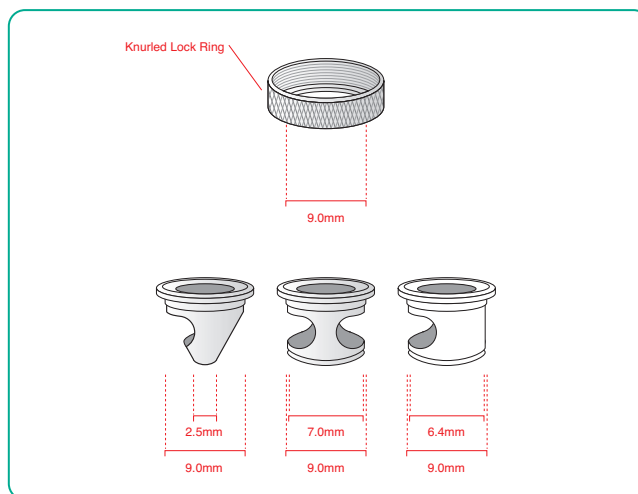
## Extra Large Nose Cones

For use on Gravograph 1/8" & 11/64" & 1/4" Spindles



Material	Hole size	O/D	Code	Price (£)
Steel	8.0mm	22mm	NC 300M	47.88
Nylon	8.0mm	22mm	NC N30M	16.35

For use on Gravograph 1/4" Spindles

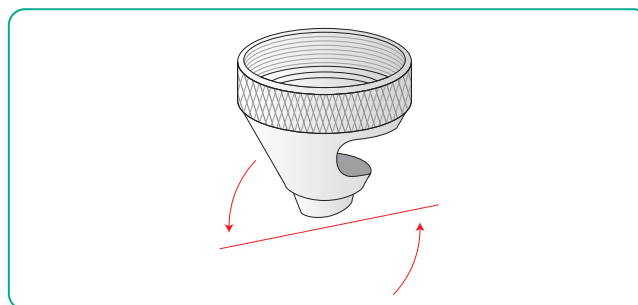


Material	Hole size	O/D	Code	Price (£)
Steel	2.5mm	9mm	NC 25M	19.37
Steel	7.0mm	9mm	NC 70M	18.30
Nylon	6.4mm	9mm	NC N64M	16.35

	Hole size	Code	Price (£)
Knurled Lock Ring	9mm	NC LR250	5.63

## Swivel Nose Cones

For use on Gravograph 1/8" & 11/64" & 1/4" Spindles



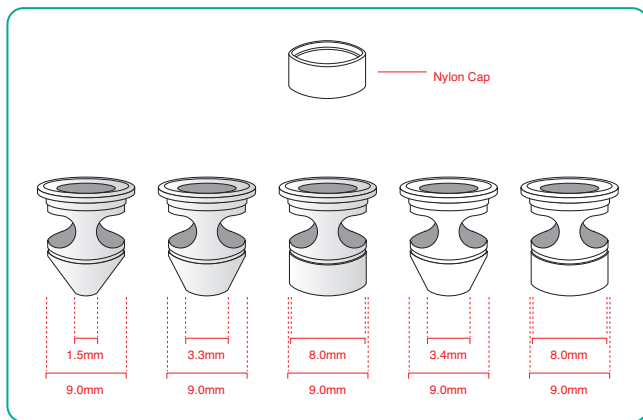
Material	Hole size	O/D	Code	Price (£)
Steel	2.5mm		NCS 25M	53.82
Steel	5.0mm		NCS 50M	53.82
Nylon	3.5mm		A4677000	54.08

Swivel Nose Cones can be used with Swarf Extraction, but requires a special holding boot.

	Code	Price (£)
Grey Plastic Holding Boot	NC SESGP	7.28

## Swarf Extraction Nose Cones

For use on Gravograph Spindles



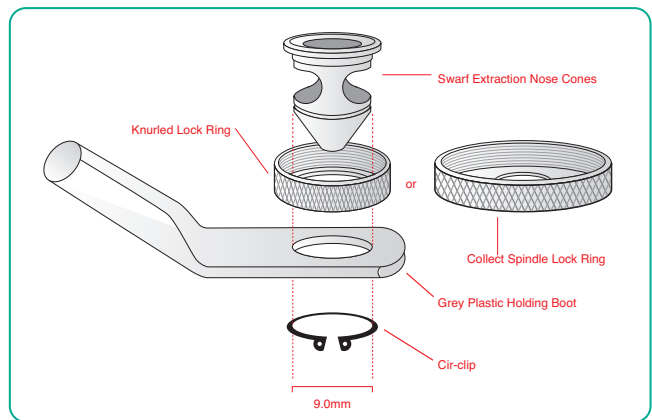
Material	Hole size	O/D	Code	Price (£)
Steel	1.5mm	9mm	NC SE15M	27.30
Steel	3.3mm	9mm	NC SE33M	27.30
Steel	8.0mm	9mm	NC SE80M	27.30
Nylon	3.4mm	9mm	NC SEN34M	16.35
Nylon	8.0mm	9mm	NC SEN8M	16.35

Accessories	Code	Price (£)
Cir-clips (pack of 5)	NC SECC	1.64
Grey Plastic Holding Boot	NC SEGP	7.28
Clear Pipe (per metre)	NC SECPP	2.84
Knurled Lock Ring	NC LR250	5.63
Collet Spindle Lock Ring	A0487000	26.73

## Domiteaux & Apex Nose Cone

Accessories	Code	Price (£)
11/64" Steel	04624	22.27
1/4" Steel	04625	29.34
Apex nose cone set large characters	110/1609S	107.53
Apex/TLC 11/64" nose cone cir-clip	110/1614	1.19
Apex nose cone & vacuum bowl 11/64"	K04615	62.22
Apex nose cone & vacuum bowl 1/4"	K04616	62.22
Domiteaux nylon keytop nose cone	NC-DOM	14.55
Domiteaux standard steel nose cone	NC-DOMS	22.26

Ready Assembled with plastic boot, lock ring & cir-clip



Material	Hole size	Code	Price (£)
Steel	1.5mm	NC SE15MC	39.31
Steel	3.3mm	NC SE33MC	39.31
Steel	8.0mm	NC SE80MC	39.31
Nylon	3.4mm	NC SEN34MC	28.36
Nylon	8.0mm	NC SEN80MC	28.36

For use on 8mm Steel Swarf Extraction Nose Cone

	Code	Price (£)
Nylon Cap 7.0mm	NC CAP80M	8.47

## Scripta / Multigrave Nose Cone

Material	Hole size	O/D	Code	Price (£)
Nylon	6.0mm		NC SCRIP6M	16.35