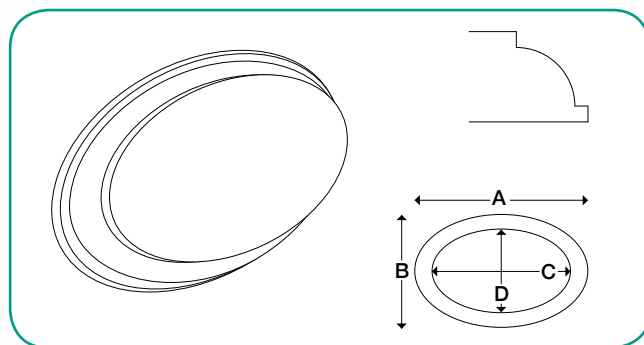
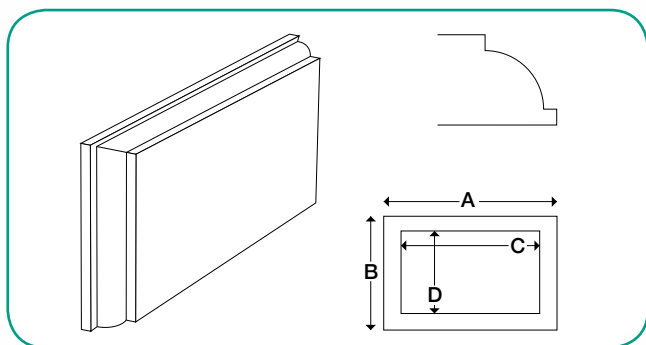


## Mahogany Backboards



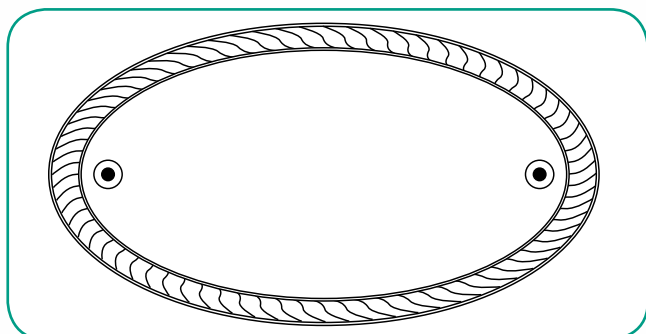
Shape	Size A	Size B	Size C	Size D	Code	Cost (£)
Rectangle	152mm	100mm	137mm	85mm	MAPL6X4	17.43
Rectangle	254mm	178mm	238mm	161mm	MAPL10X7	21.26
Rectangle	305mm	203mm	288mm	187mm	MAPL12x8	23.63
Rectangle	323mm	235mm	307mm	220mm	MAPL323x235	31.50
Rectangle	420mm	287mm	400mm	267mm	MAPL420X287	51.45
Oval	126mm	85mm	111mm	70mm	MAPL01	18.27
Oval	171mm	112mm	156mm	97mm	MAPL02	19.32
Oval	255mm	153mm	240mm	138mm	MAPL03	22.26
Oval	355mm	203mm	333mm	188mm	MAPL04	26.88

## Brass Plates to suit above Backboards

Shape	To Suit Backboard	Size	No. of Holes	Code	Cost (£)
Rectangle	MAPL6X4	129mm x 77mm	4	BP4MAPL6X4	4.92
Rectangle	MAPL10X7	230mm x 153mm	4	BP4MAPL10X7	9.55
Rectangle	MAPL12x8	280mm x 179mm	4	BP4MAPL12x8	13.36
Rectangle	MAPL323x235	299mm x 212mm	4	BP4MAPL323x235	16.75
Rectangle	MAPL420X287		4	BP4MAPL420X287	21.89
Oval	MAPL01	103mm x 62mm	2	BP4MAPL01	5.62
Oval	MAPL02	148mm x 89mm	2	BP4MAPL02	7.62
Oval	MAPL03	232mm x 130mm	2	BP4MAPL03	15.49
Oval	MAPL04	325mm x 180mm	2	BP4MAPL04	27.91

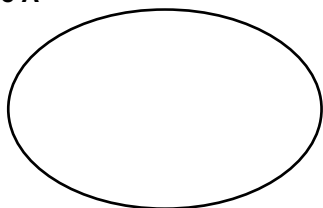
## Cast Brass Ovals with Rope Edge Finish

Shape	To Suit Backboard	No. of Holes	Code	Cost (£)
Oval	MAPL01	2	OVALRE102	4.00
Oval	MAPL01	2	OVALRE148	6.00



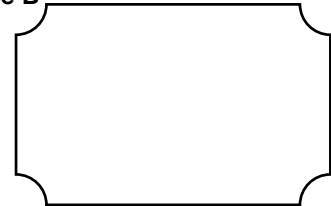
## Polished Brass Plates

**Shape A**



Shape	Size	Thickness	Code	Cost (£)
A	50mm x 25mm	1mm	OBP50	2.10
A	76mm x 38mm	1mm	OBP76	2.73
A	80mm x 55mm	1.5mm	OBP80	3.57
A	100mm x 50mm	1.5mm	OBP100	4.62

**Shape B**



Shape	Size	Thickness	Code	Cost (£)
B	76mm x 38mm	1mm	SBP76	2.10
B	80mm x 18mm	1mm	SBP80	1.89
B	100mm x 20mm	1mm	SBP100	2.10
B	102mm x 51mm	1.5mm	SBP102	2.63
B	152mm x 38mm	1.5mm	SBP152	2.94

**Shape C**



Shape	Size	Thickness	Code	Cost (£)
C	45mm x 13mm	1mm	REBP45	1.37
C	66mm x 25mm	1mm	REBP66	1.79
C	102mm x 38mm	1mm	REBP102	2.42