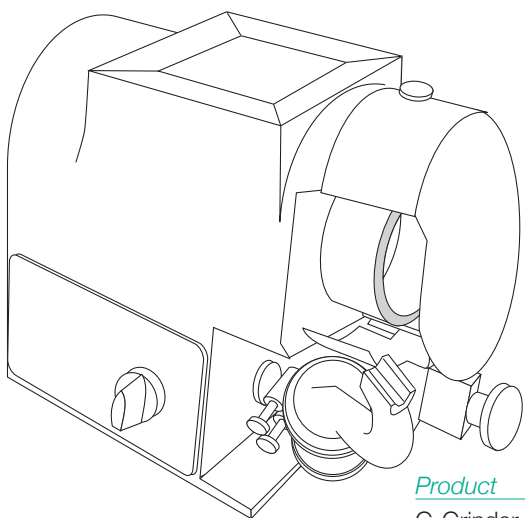


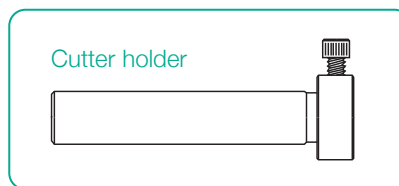
## Newing-Hall Model G Cutter Grinder



Complete with standard tools

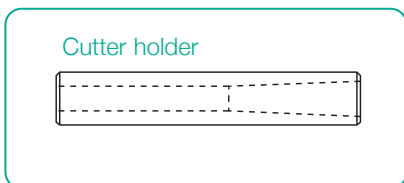
Product	Code	Price
G-Grinder	NHCG G	£1554.00

## G Grinder Straight Shank



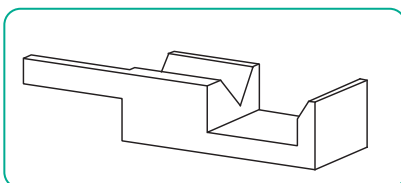
Size	Code	Price
1/8"	GS 125	£44.00
11/64"	GS 1164	£33.00
3/16"	GS 187	£33.00
1/4"	CS 250	£33.00
5/16"	GS 312	£33.00
3mm	GS 3M	£44.00
4mm	GS 4M	£33.00
6mm	GS 6M	£33.00
8mm	GS 8M	£33.00

## G Grinder Taper Shank



Size	Code	Price
3/8"	GT 375	£40.00
10mm	GT 10M	£40.00

## G Grinder Setting Gauge



Size	Code	Price
3/8"	GSG 375	£90.55
10mm	GSG 10M	£90.55

## G Grinder Cam Collar



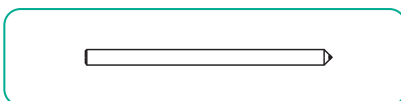
Size	Code	Price
3/8"	CC 375	£36.00
10mm	CC 10M	£36.00

## G Grinder Cams



Size	Code	Price
20°	GC 20	£15.00
24°	GC 24	£15.00
32°	GC 32	£15.00
40°	GC 40	£15.00

## Gravograph Diamond Dresser



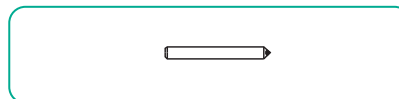
Size	Code	Price
1/8"	GD 125	£29.70
11/64"	GD 1164	£29.70
1/4"	GD 250	£29.70
6mm	GD 6M	£29.70

## Alexander Diamond Dresser



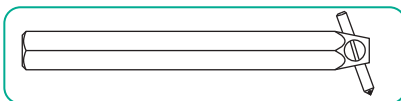
Code	Price
DD 300	£17.85

## Replacemnt Diamond DD400



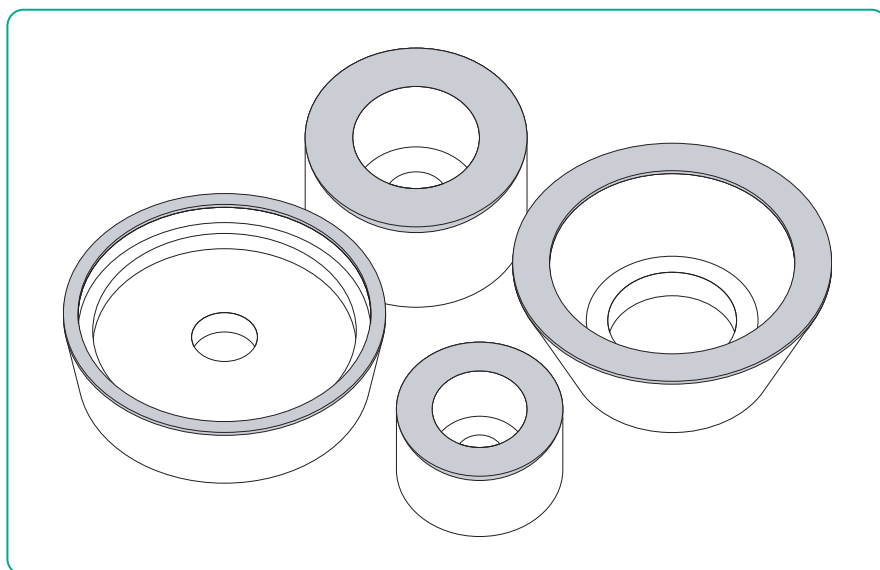
Code	Price
DD 100	£15.75

## Newing-Hall Diamond Dresser



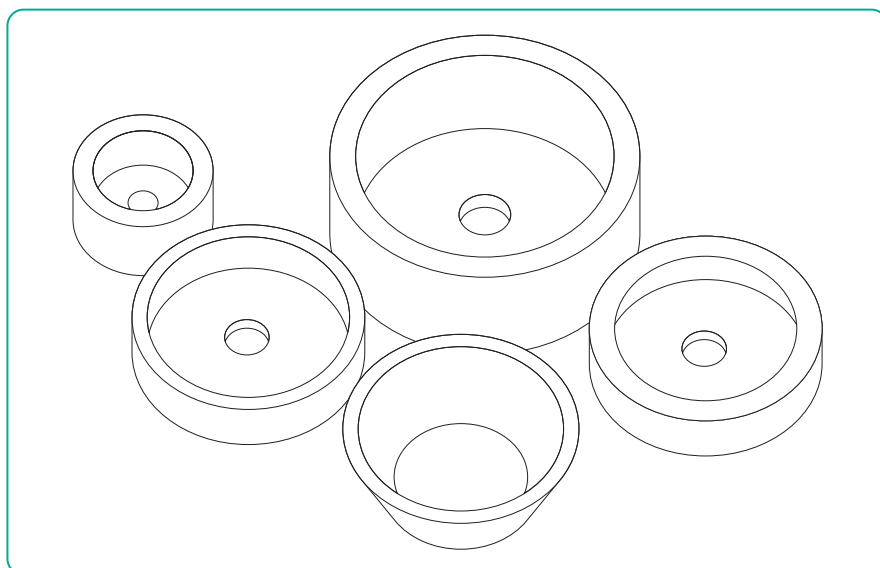
Code	Price
DD 400	£30.00

## Diamond Grinding Wheels



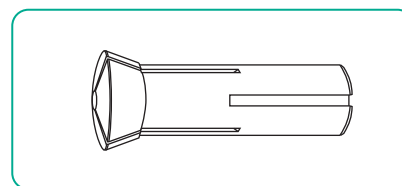
Item	Size	Code	Price
Newing-Hall/Taylor Hobson Model 'D'	Tapered	DWTC	£77.00
Gravograph All Models	2.25"	DWSCG	£68.00
Alexander & Deckel	4"	DWSC4	£77.00
Newing-Hall/Taylor-Hobson Model 'G'	6"	DWSC6	£92.00

## White Grit Grinding Wheels



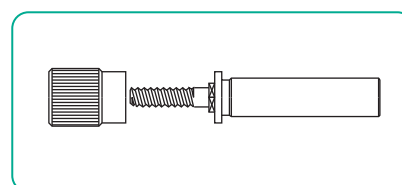
Item	Size	Code	Price
80 Grit Newing-Hall/Taylor Hobson Model 'D'	Tapered	WGTC	£26.00
Gravograph All Models	2.25"	WGSCG	£20.00
80 Grit Alexander & Decke	4"	WG80SC4	£26.00
120 Grit Alexander & Deckel	4"	WG120SC4	£26.00
80 Grit Newing-Hall/Taylor Hobson Model 'G'	6"	WG80SC6	£38.00

## Gravograph Grinder Collets



Size	Code	Price
1/8"	CG 125	£66.84
11/64"	CG 1164	£66.84
1/4"	CG 250	£66.84
2mm	CG 2M	£66.84
3mm	CG 3M	£66.84
4mm	CG 4M	£66.84
5mm	CG 5M	£66.84
6mm	CG 6M	£66.84
7mm	CG 7M	£66.84

## D Grinder Taper Shank



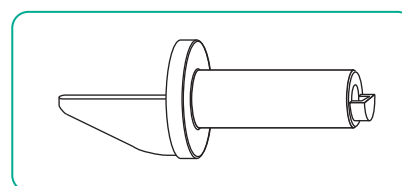
Size	Code	Price
5/16"	DT 312	£57.75

## D Grinder Cams



Size	Code	Price
Set of 4	DCams	£30.52

## D Grinder Setting Gauge



Code	Price
DGS3125	£63.00