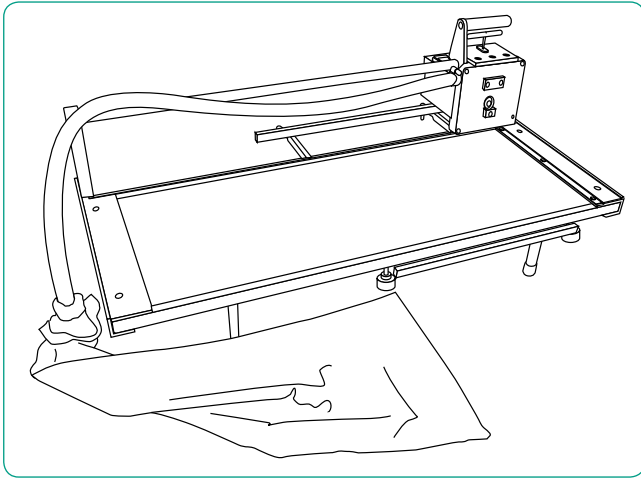
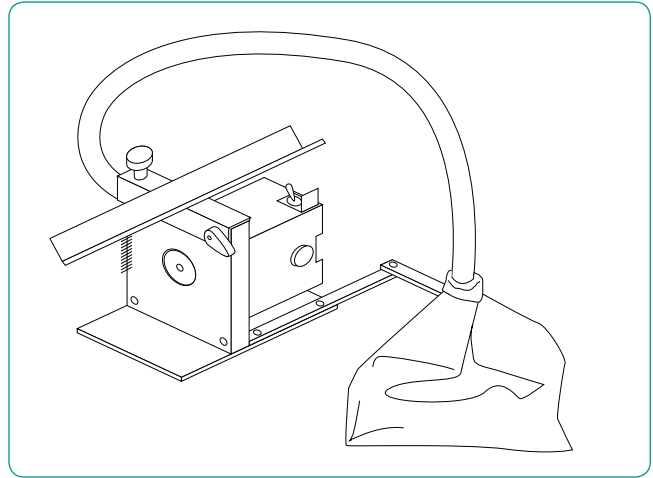


Varga VA Saws



Varga VA2 Beveller



Item	Function	Cutting Length	Cutting Thickness	Code	Price
Varga VA1	Safety Saw	620mm	6mm	VARGA-V11	£1890.00
Varga VA10	Safety Saw	620mm	6mm	VARGA-VA10	£1659.00
Varga VA11	Safety Saw	665mm	15mm	VARGA-VA11	£2467.50
Varga VA21-7	Safety Saw	1030mm	7mm	VARGA-VA-21-7	£3060.75
Varga VA21-15	Safety Saw	1030mm	15mm	VARGA-VA-21-15	£3627.75
Varga VA2	Beveller			VARGA-VA2	£808.50

Varga VA Saws Spares

Item	Code	Price
3.15A Fuse	VARGA-FUSE	£0.44
Plastic Rocker Switch	VARGA-RS	£8.40
Metal Toggle Switch	VARGA-TS	£8.40
Slide Clamp Knob	VARGA-SSCS	£2.52
Saw Dust Bag	VARGA-VSDB	£30.11
Saw Dust Clip	VARGA-VDBC	£11.55
Saw Dust Pipe	VARGA-VDBP	£9.45
Saw Dust Bag Support	VARGA-VDBS	£36.75
Saw Pipe Jubilee Clip	VARGA-VDJC	£2.84
Saw Guide Heel	VARGA-VGH	£30.71
Vargol Lubricant 500ML	VARGA-VLO	£14.96
Vargol Lubricant Dispensing Bottle	VARGA-VLOB	£44.63
Varga Motor Brushes (All Models)	VARGA-VMB	£10.24/Pair
Varga Motor Brush Caps (All Models)	VARGA-VMBC	£6.83ea
VA1 & VA2 240V Motor	VARGA-VMU	£367.50
VA11 Saw 240V Motor Unit	VARGA-VMU11	£551.25
VA1 & VA2 110V Motor Unit	VARGA-VMU110V	£367.50
Saw 24Tooth Blade (All Saw Models)	VARGA-VS24	£126.00
Saw 36Tooth Blade (All Saw Models)	VARGA-PS36	£68.25
Diamond Blade (All Models)	VARGA-VD	£278.25
VA1 Saw Head & Guide Rail	VARGA-VSHGR	£939.75
VA1 Table Scale 10mm-290mm	VARGA-VSR	£17.06
VA1 Table Slide Stop	VARGA-VSSS	£30.71
Saw Plastic Slide Shoe	VARGA-VSSP	£10.24

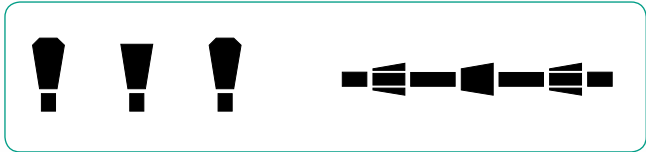
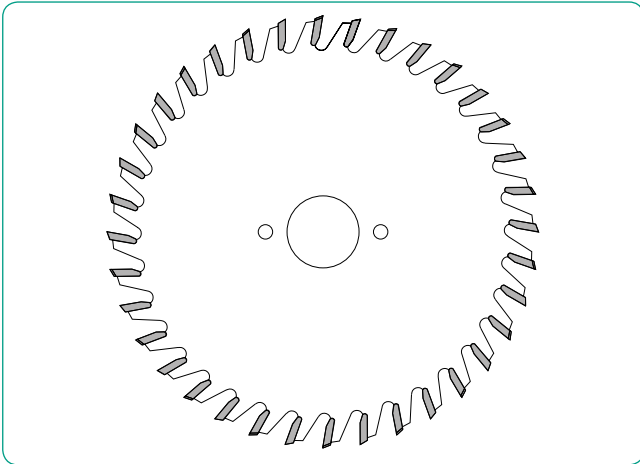
Varga VA Saws Spares Continued

Item	Code	Price
Varga 11 Guide Heel	VARGA-VA11GH	£35.17
M4 x1 8M CSK Slotted Head Screw(6)	VARGA-SCREW	£2.43
Varga 11 Saw Head & Guide Rail	VARGA-VA11SHGR	£1102.50
Varga 11 Saw Material Stop Left Side	VARGA-VA15	£52.01

Varga VA2 Beveller Spares

Item	Code	Price
24Tooth Beveller Blade	VARGA-VB24	£126.00
36Tooth Beveller Blade	VARGA-PS36B	£68.25
Large Plate Beveller Guide	VARGA-VBCP	£51.97
VA2 Beveller Dust Bag	VARGA-VBDB	£30.71
Beveller Sliding Plate	VARGA-VBSP	£36.22

Varga 1 Saw



TRAPEZOIDAL-GROUND TEETH

The first or trapezoidal tooth of the pair cuts deeper than the second or flat top tooth, which, in its turn, makes a wider cut than the first. This means that the sawdust is divided up into three portions. This EA type of saw is particularly suitable for hard plastics and provides a very smooth cut surface

Carbide Tipped Saw Blades Please state Bore size when ordering

<i>Diameter</i>	<i>Teeth</i>	<i>Code</i>	<i>Price</i>
6"	48	CSB6	£84.00
8"	64	CSB8	£99.75
10"	80	CSB10	£110.25

Varga Saw	24	VARGA-VS24	£126.00
Varga Saw	36	VARGA-PS36	£68.25

Varga Beveller	24	VARGA-VB24	£126.00
Varga Beveller	36	VARGA-PS36B	£68.25

Carbide Tipped Saw Blades Re-sharpening

<i>Number of Teeth</i>	<i>Price</i>
0-36	£13.44
37-48	£17.32
49-60	£22.05
61-72	£25.20
73-80	£28.35

High Speed Steel Saw Blades Re-sharpening

<i>Diameter of Blade</i>	<i>Price</i>
0-150mm	£12.60
151mm - 200mm	£14.70
201mm - 250mm	£16.80
251mm - 250mm	£19.95