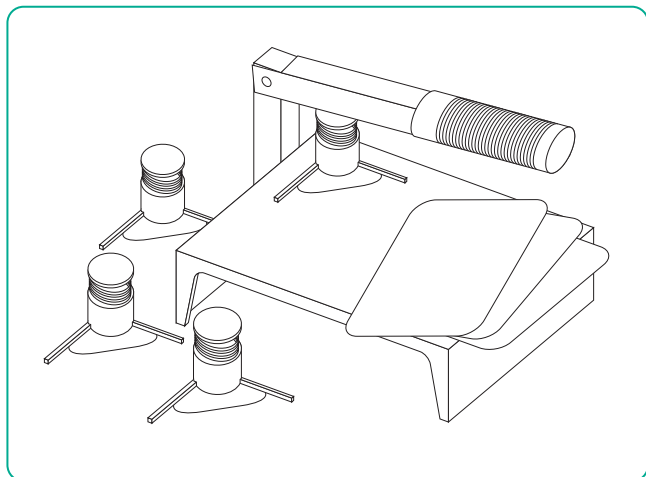


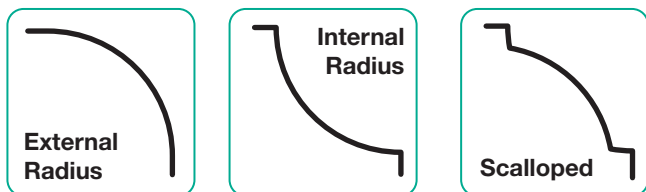
Corner Rounder



Item	Code	Price
Corner Rounder Base Unit	CRBU	£84.00
Cutting Unit Only	CRCU	£99.75

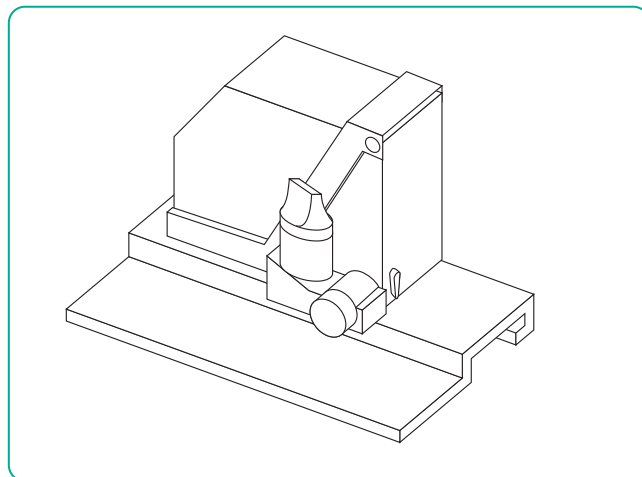
Corner Rounder Parts	Code	Price
1/2" Internal Radius	CRCUN1/2	£99.75
1/4" Internal Radius	CRCUN1/4	£99.75
1/8" Internal Radius	CRCUN1/8	£99.75
3/8" Internal Radius	CRCUN3/8	£99.75
1/2" External Radius	CRCUR1/2	£99.75
1/4" External Radius	CRCUR1/4	£99.75
1/8" External Radius	CRCUR1/8	£99.75
3/16" External Radius	CRCUR3/16	£99.75
3/8" External Radius	CRCUR3/8	£99.75
5/16" External Radius	CRCUR5/16	£99.75
1/2" Scalloped	CRCUS1/2	£99.75
1/4" Scalloped	CRCUS1/4	£99.75
3/8" Scalloped	CRCUS3/8	£99.75

Cut finishes



	1/8"	3/16"	1/4"	3/8"	1/2"
External Radius	•	•	•	•	•
Internal Radius	•		•	•	•
Scalloped			•	•	•

Gravograph Beveller



Gravograph B6 Beveling Machine

An easy to use, totally safe beveling machine with built in swarf suction and air filter, suitable for beveling angles, steps and rounded corners.

Specification

Vertical travel 4mm
 Horizontal travel 15mm
 Max. plate thickness 8mm
 Radius devices 5-10-15mm 1/2" rad.
 Table size 450 x 90mm

Item	Code	Price
Beveling Machine	GBB6	£1085.00
Belt	57622000	£8.48
Set of 4 radius plates (5mm, 10mm, 15mm, 1/2")	57683001	£26.67
Carbide Cutter (please specify whether angled or Striaght required)	BC250	£16.63