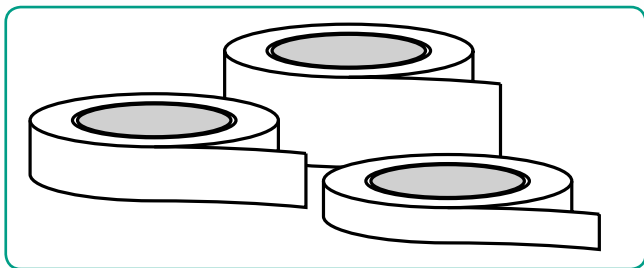
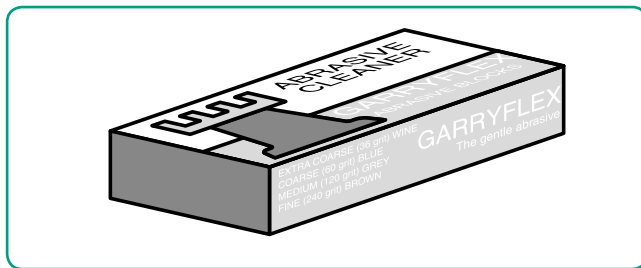


Double Sided Tape



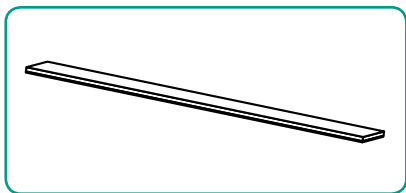
Tack	Width	Length	Code	Price
Low	12mm	50m	DST12LA	£4.89
Low	25mm	50m	DST25LA	£9.88
Low	50mm	50m	DST50LA	£21.84
High	12mm	50m	DST12	£2.91
High	25mm	50m	DST25	£4.89
High	50mm	50m	DST50	£9.78

Abrasive Block



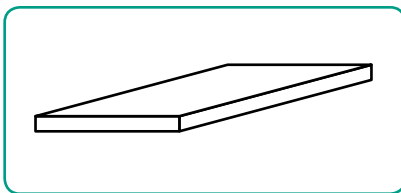
Grade	colour	Code	Price
Extra Course	Wine	GAB36	£5.44
Coarse	Blue	GAB60	£5.44
Medium	Grey	GAB120	£5.44
Fine	Brown	GAB240	£5.44

Magnetic Strip



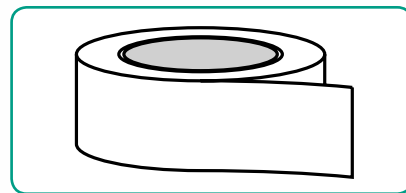
Size	Code	Price
25 x 600	MS600	£7.56

Scotchbrite Pad



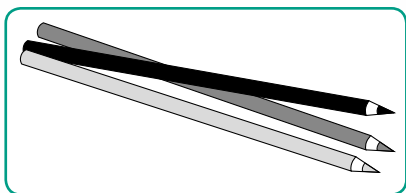
Size	Code	Price
158 x 224	SBP1	£1.82

Engravers Test Tape



Size	Code	Price
75mm x 100M	ETT	£12.48

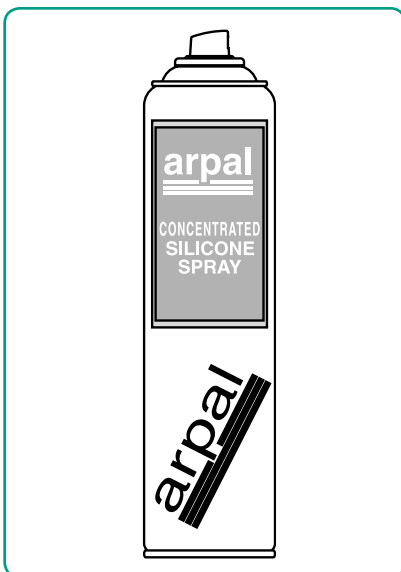
Chinagraph Pencils



Colour	Code	Price
Black	CPBK	£1.15
White	CPW	£1.15
Red	CPR	£1.15
Blue	CPBL	£1.15
Green	CPG	£1.58
Brown	CPBR	£1.15
Yellow	CPY	£1.15

For use on glass, acetate, film, china and all polished surfaces. Impervious to water and dampness yet may be easily removed with a dry cloth.

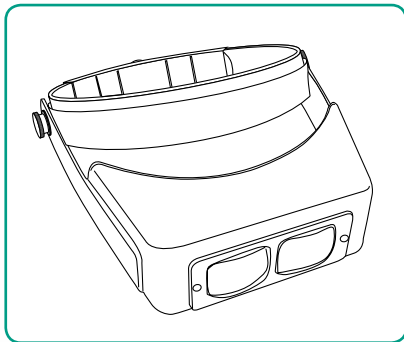
Silicone Spray



Size	Code	Price
158 x 224	SS400ML	£10.92

This tape gives you the luxury of test diamond marking objects before final engraving. It is really useful for placing the text in the correct position.

Headband Magnifier



Is a highly versatile precision-made binocular magnifier that is worn on the head leaving both hands free, and can be instantly tilted upwards when not in use.

HBM25

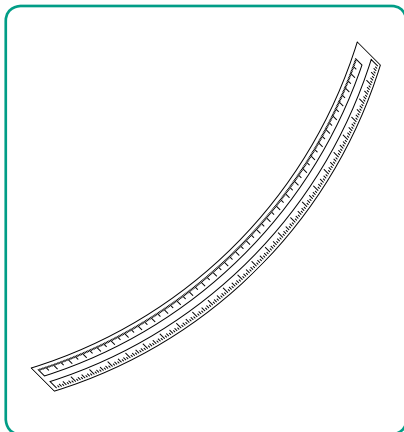
Magnifies 2 Times
Focal Length 8 inches

HBM35

Magnifies 3.5 Times
Focal Length 4 inches

Code	Price
HBM25	£45.86
HBM35	£50.23

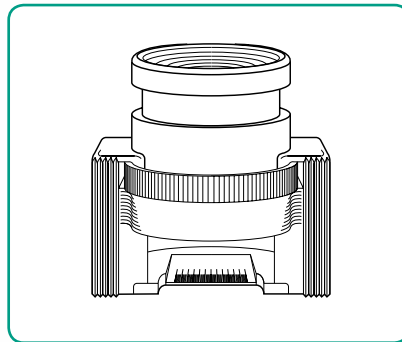
Flexible Layout Rule



Manufactured from .5mm acetate, this 12" rule is designed to bend round curved objects (cups, tankards etc) to assist in setting out.

Code	Price
FRPS	£3.83

Beck Magnifier

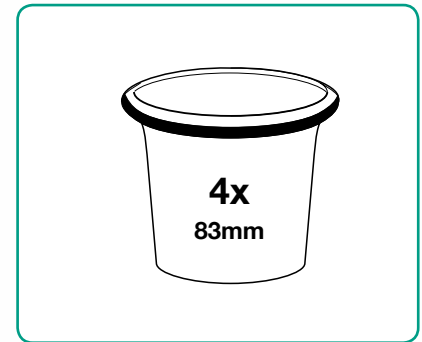


A Focusing Measuring Magnifier
16mm dia. x 10 magnification
Scale from 0-10mm in 0.1 increments.

Suitable for measuring existing Engraving, Cutter size and condition.

Code	Price
BMG	£16.38

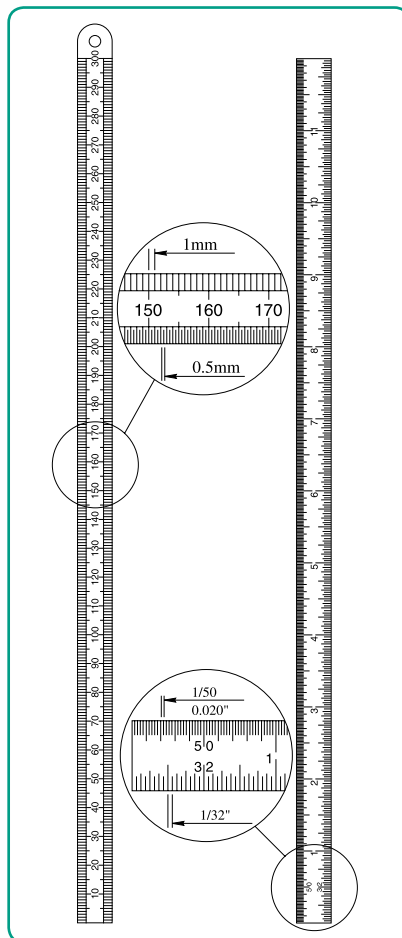
Watchmakers Eyeglass



83mm Focal length
with 4x magnification
Suitable for general use

Code	Price
WEG	£8.28

Steel Rulers



METRIC / INCHES RULE

Graduated in millimetres and half millimetres on one side. The other side being graduated in 1/100, 1/64, 1/50, 1/32, 1/20, 1/16, and also 1/10" of an inch

Code	Price
SR300M	£14.00

IMPERIAL MEASUREMENT

Graduated in 1/50" along one edge for measuring intermediate Pantograph reductions. The other edge in 1/32" for general use.

Code	Price
SR12I	£19.66